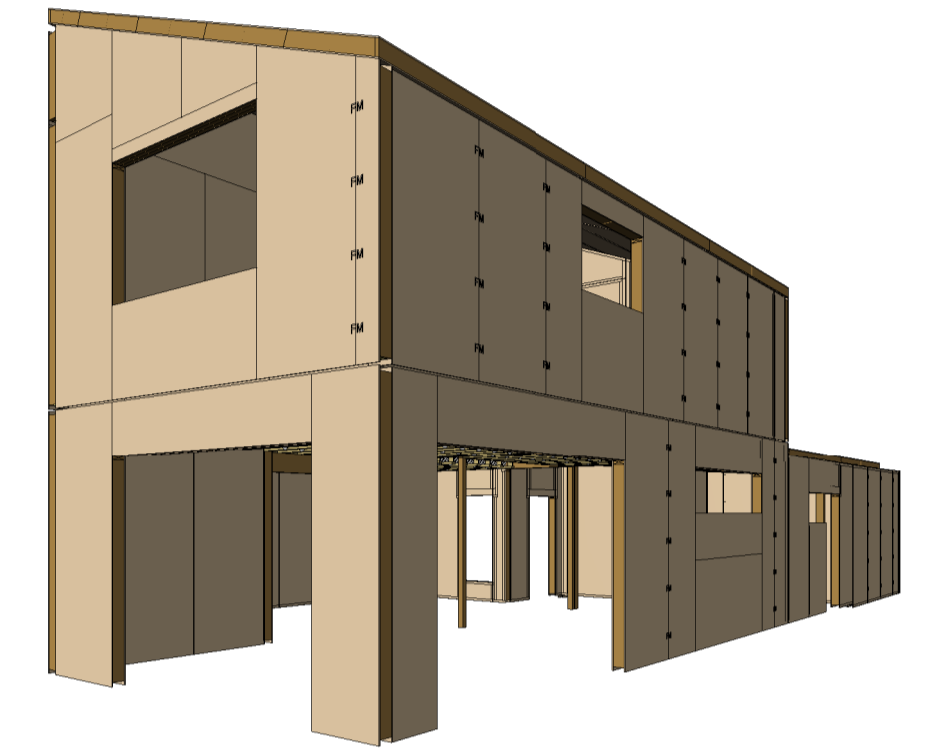


Sheet List - SIPS	
Sheet Number	Sheet Name
SIP000	Drawing Index and General Perspectives
SIP110	Panel Floor Plans
SIP130	Panel Sections
SIP140	Panel Elevations



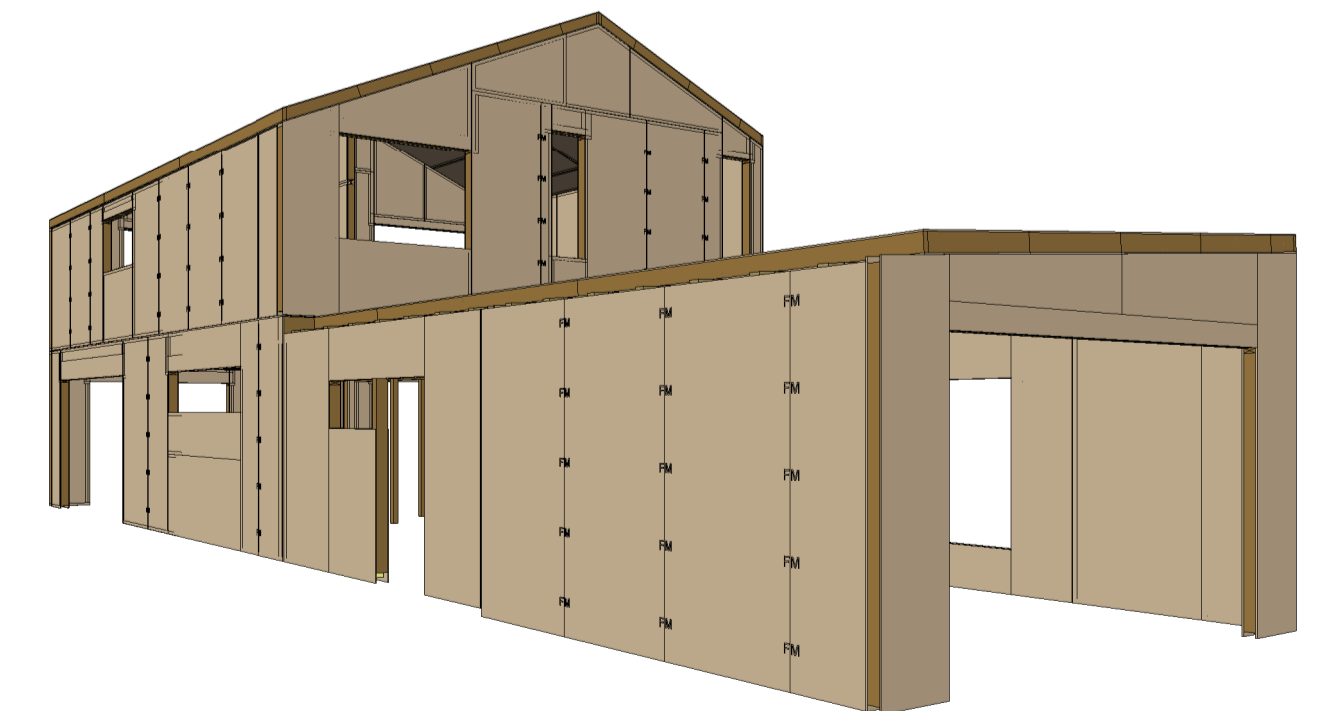
1 From East - SIP



2 From North - SIP



3 From South - SIP



4 From West - SIP

No.	Description	Date
A	PRODUCTION	14/08/2017

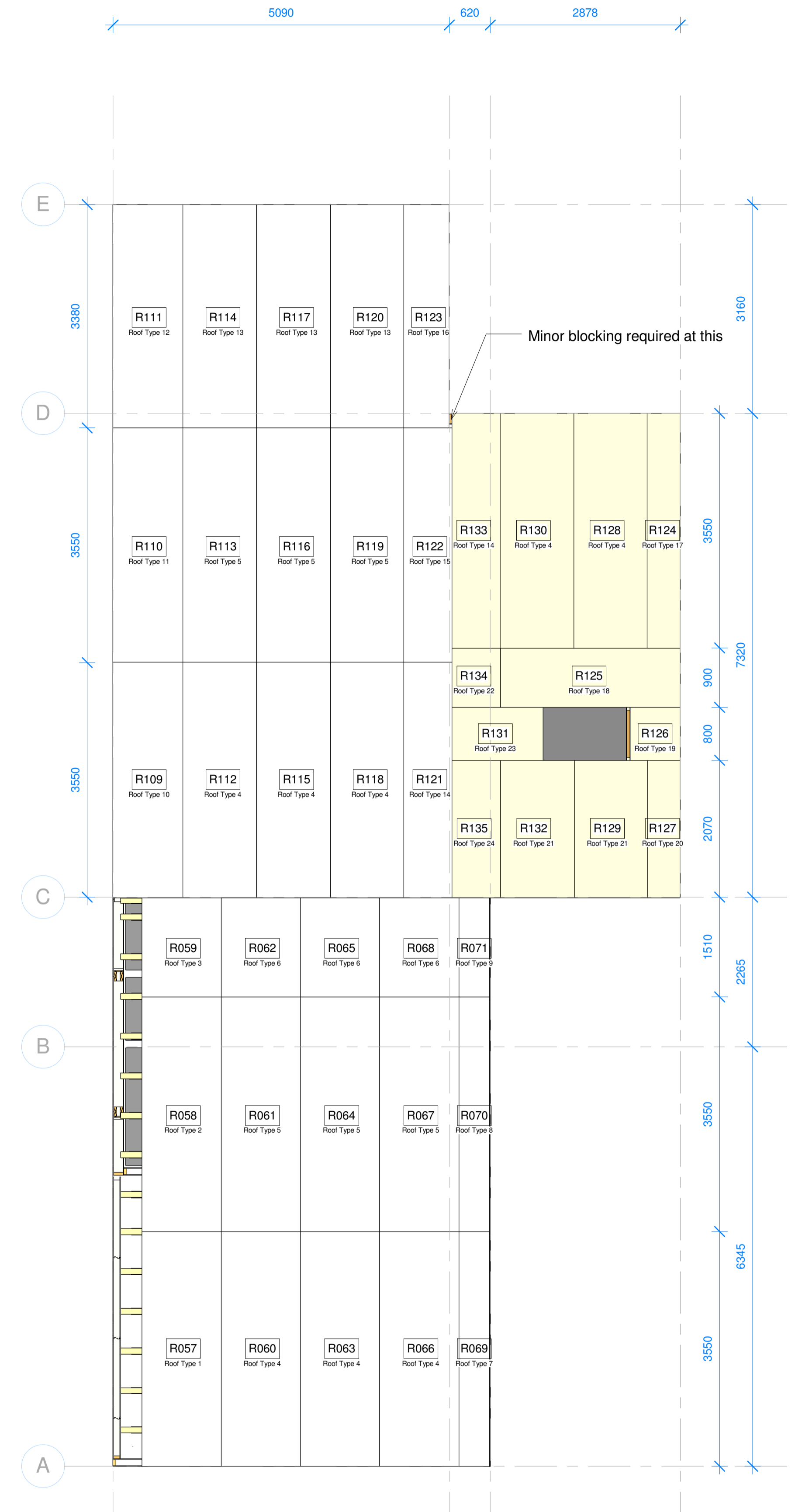
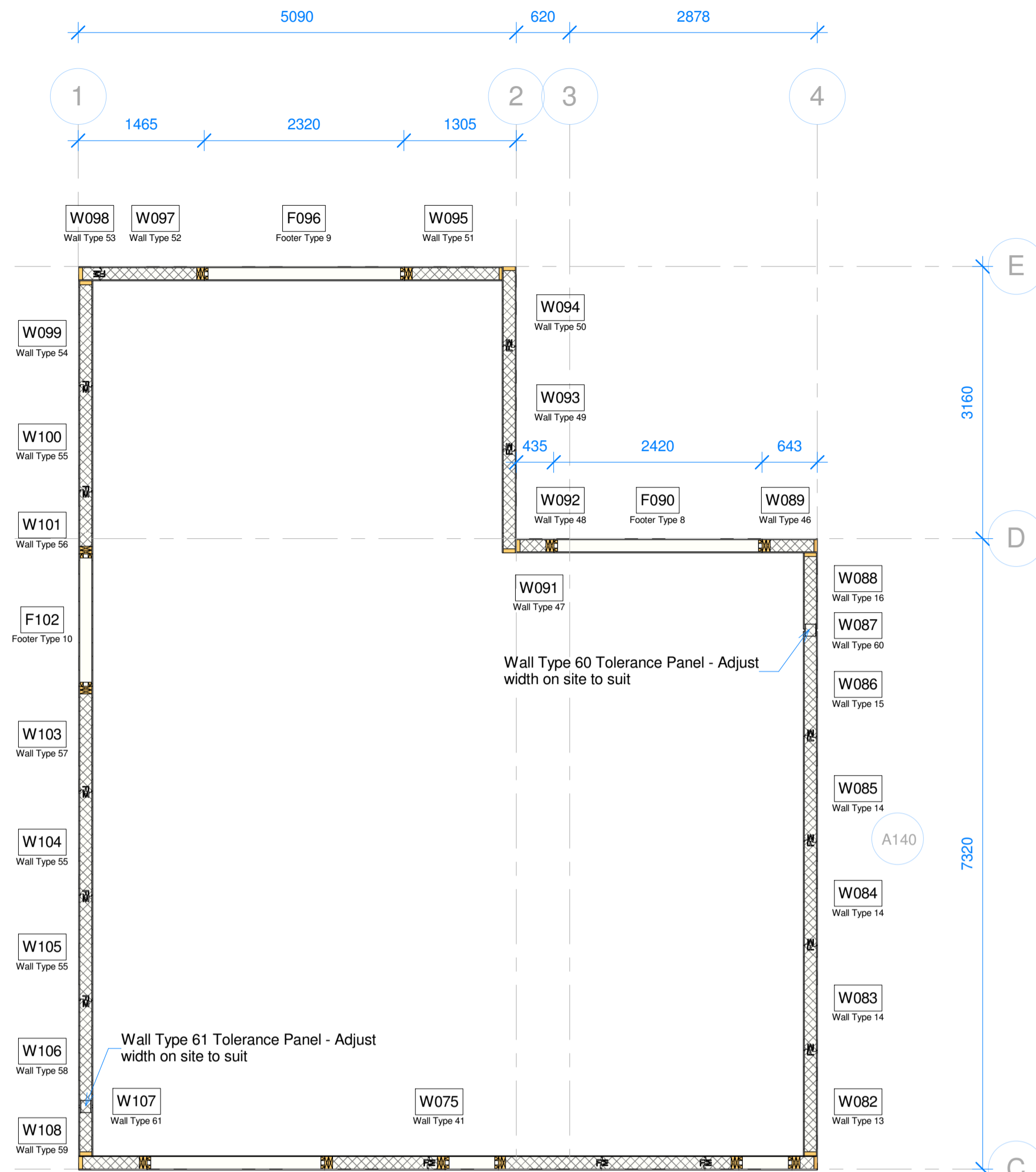
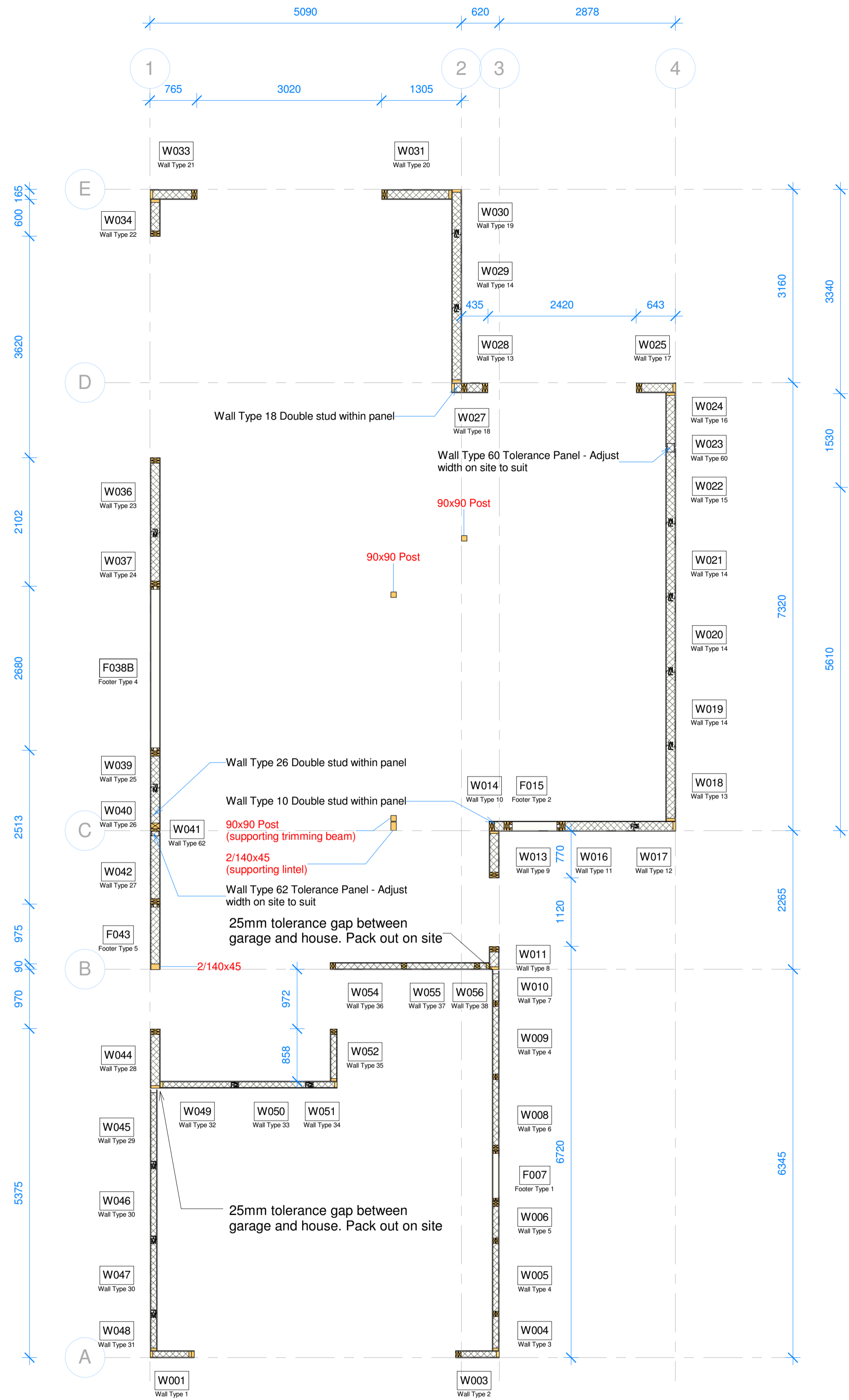
PROJECT	Soudley			CLIENT	
SHEET	Drawing Index and General Perspectives			Date Issue Date	
	Drawn by	Project number	Scale (@ A1)	Drawn by	
	Checked by	DRAWING NUMBER	REV	Checked by	
		SIP000	A		

SHOP DRAWING REVIEW					
This documentation review is for general conformance with consultant plans and specifications only and does not serve to relieve NZSIP Ltd of contractual responsibilities.	REVIEWED:	SIGN:	BY:	DATE:	
	REVIEWED WITH COMPANY:	CHANGES NOTED:			

NOTES
All work to be in accordance with current NZ Standards unless otherwise noted. Drawings to be read in conjunction with specifications, engineers and other consultant drawings. Engineer's drawings take pre-eminence over all structural matters. Contractors shall verify all conditions and dimensions on site and notify New Zealand Structural Insulated Panels Limited (NZSIP) of any dimensional errors, omissions or discrepancies before beginning or fabricating any work. Any changes without the approval of NZSIP and/or the local building authority in writing shall void NZSIP of all contractual obligations.

Structural timber and steelwork indicated for coordination purposes only. This material will not be supplied by NZSIP unless specifically noted as such.





No.	Description	Date
C	PRODUCTION	19/09/2017
B	PRODUCTION	15/08/2017
A	PRODUCTION	14/08/2017

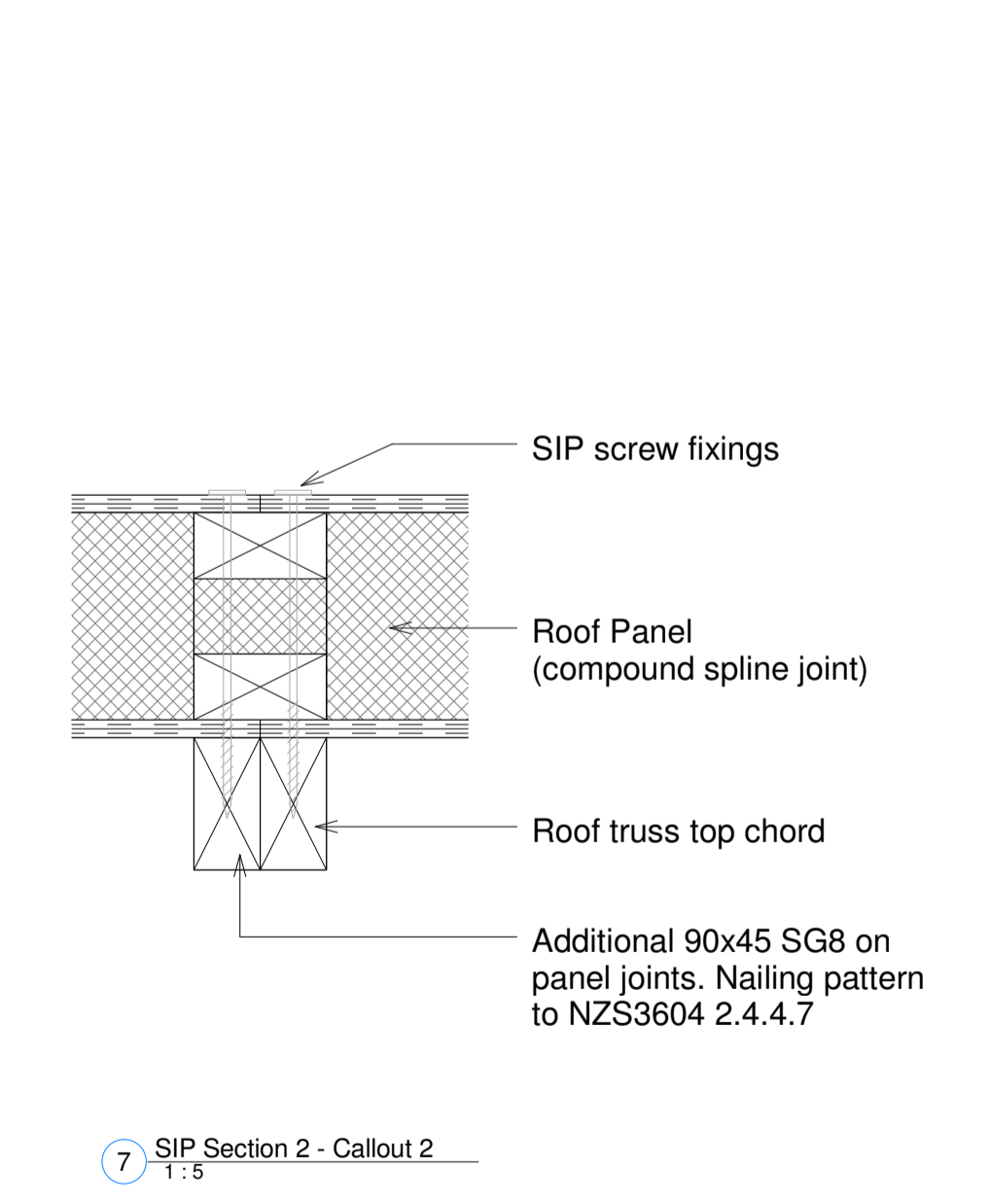
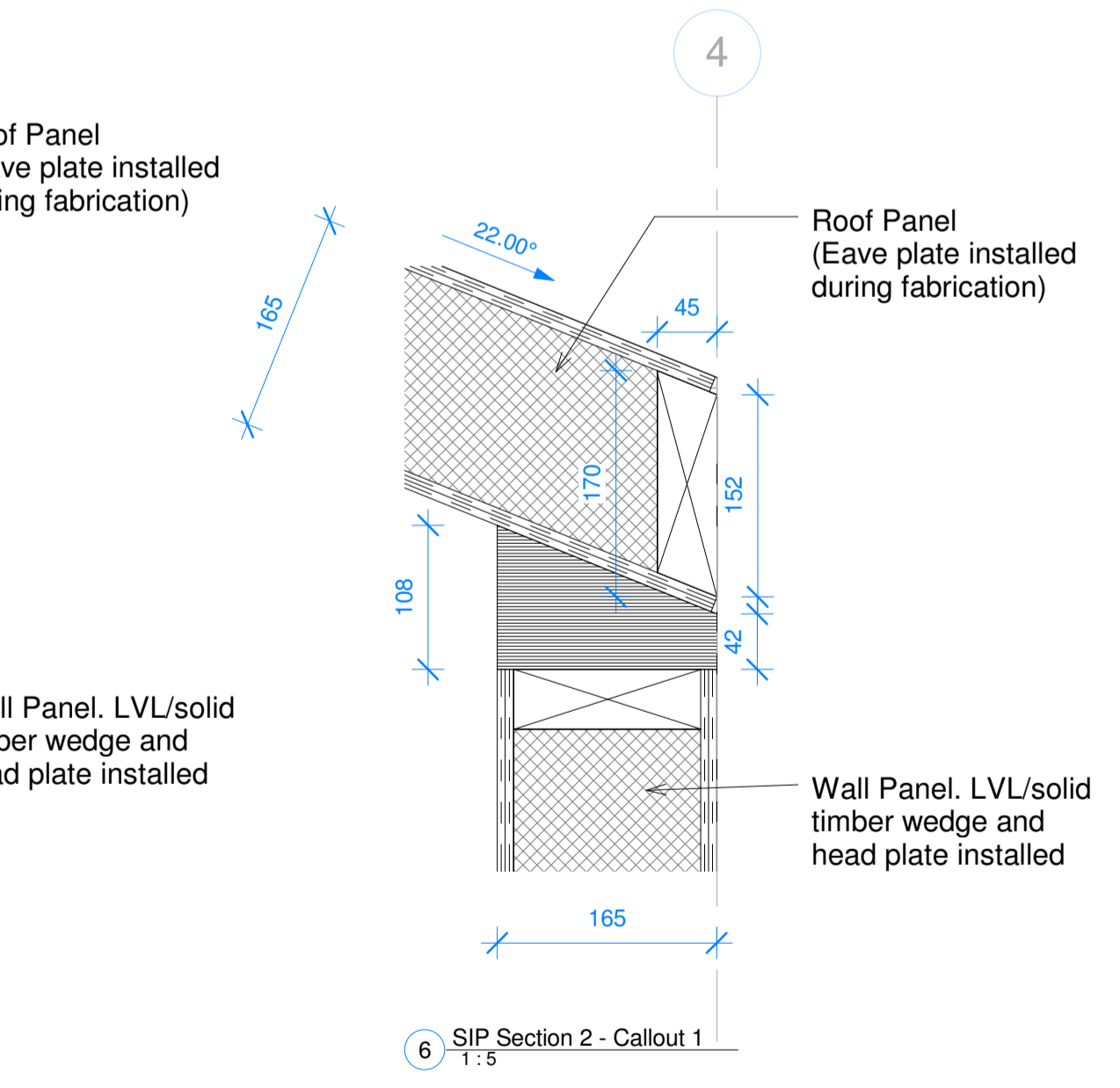
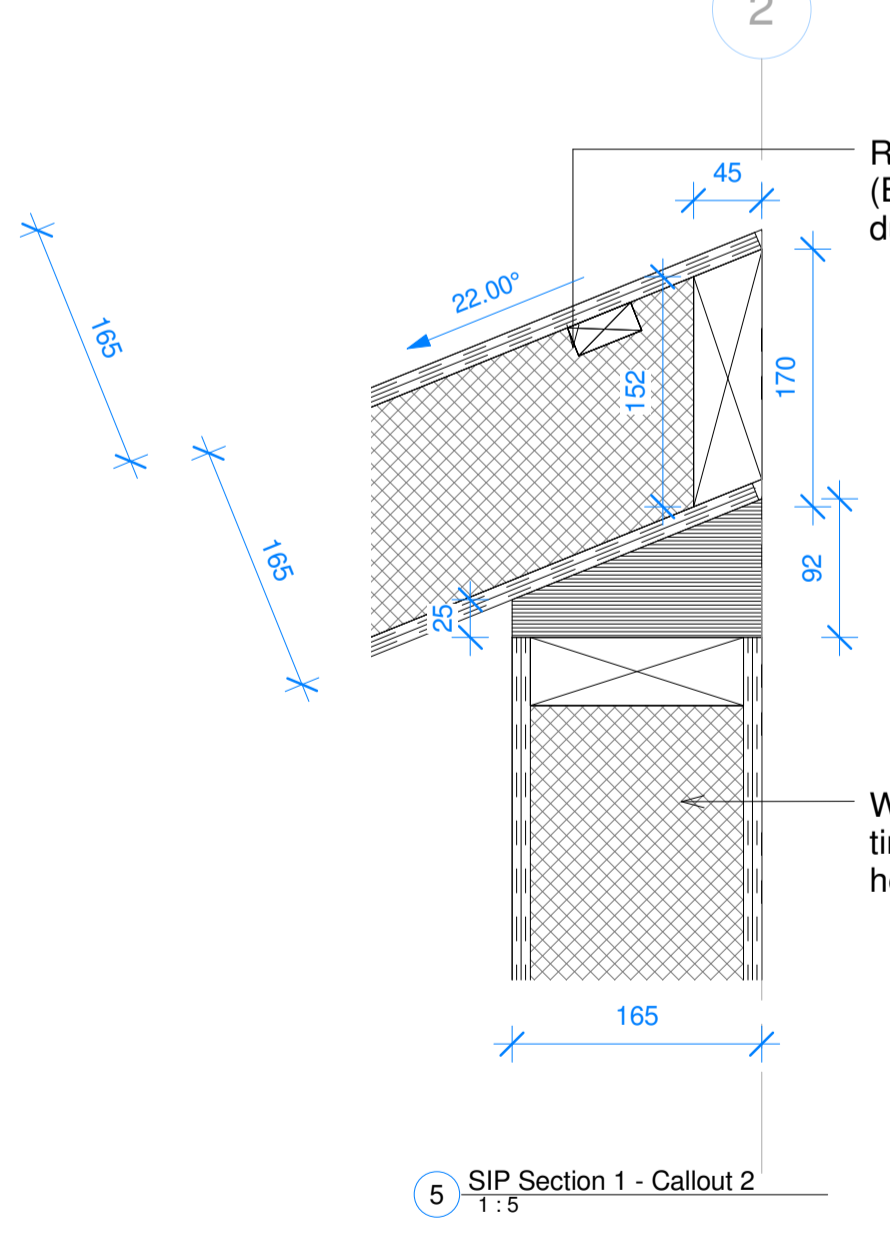
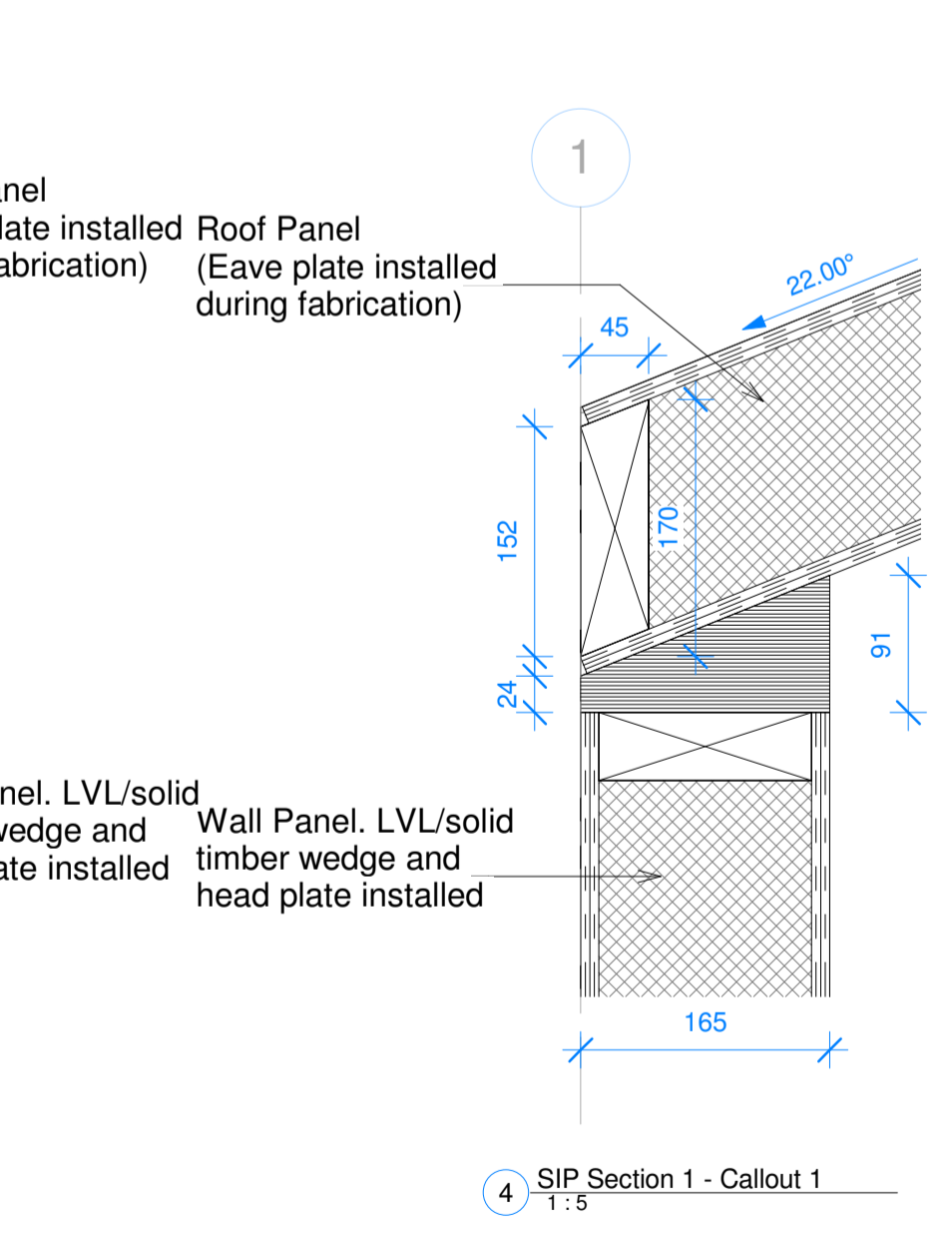
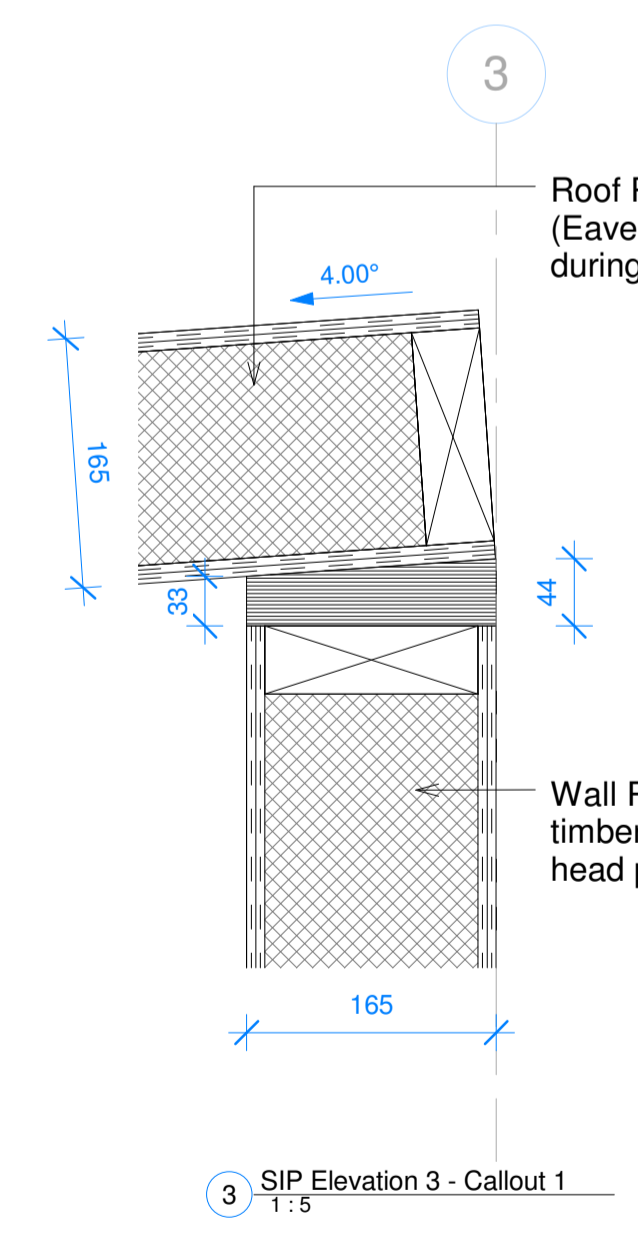
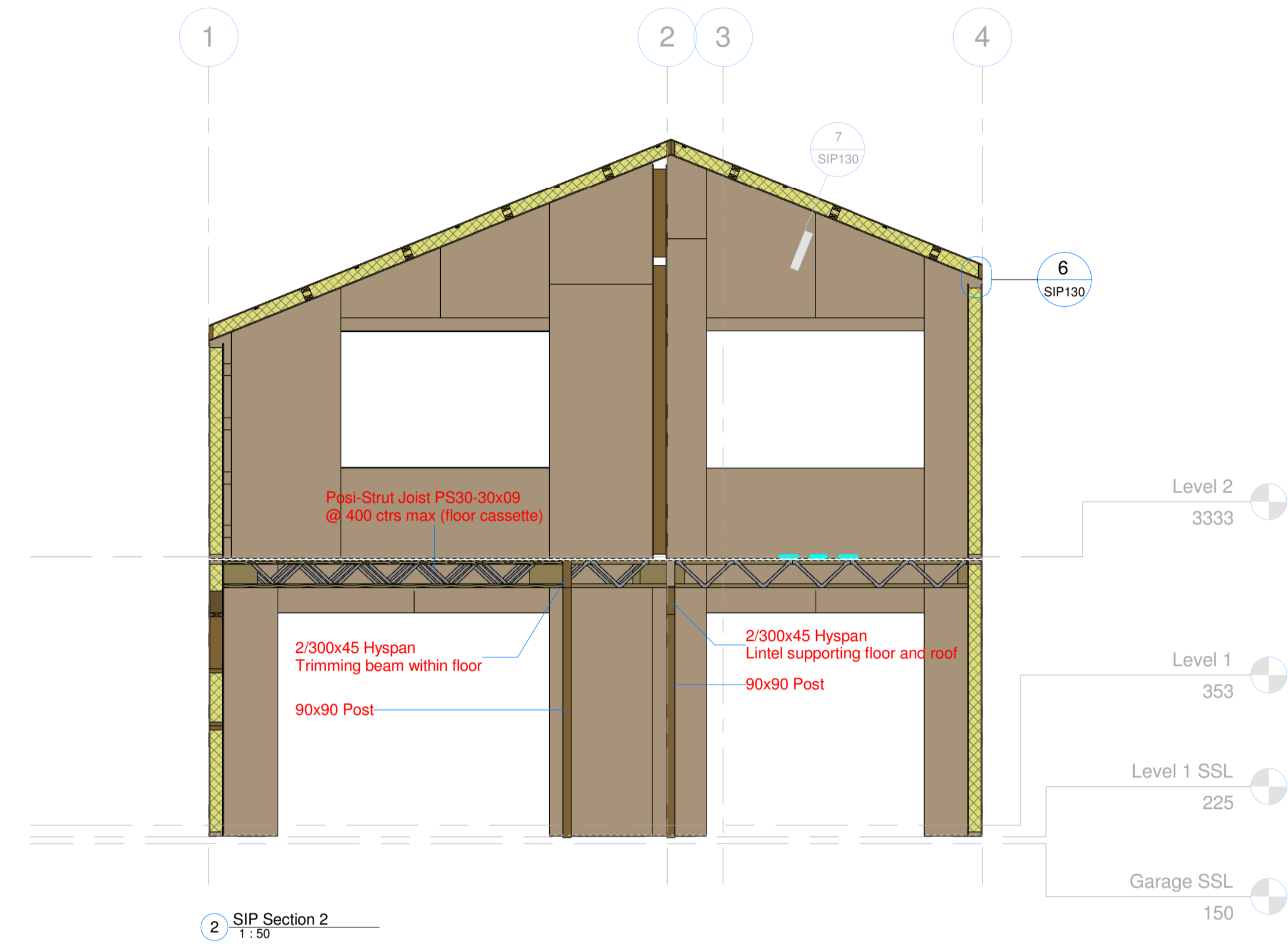
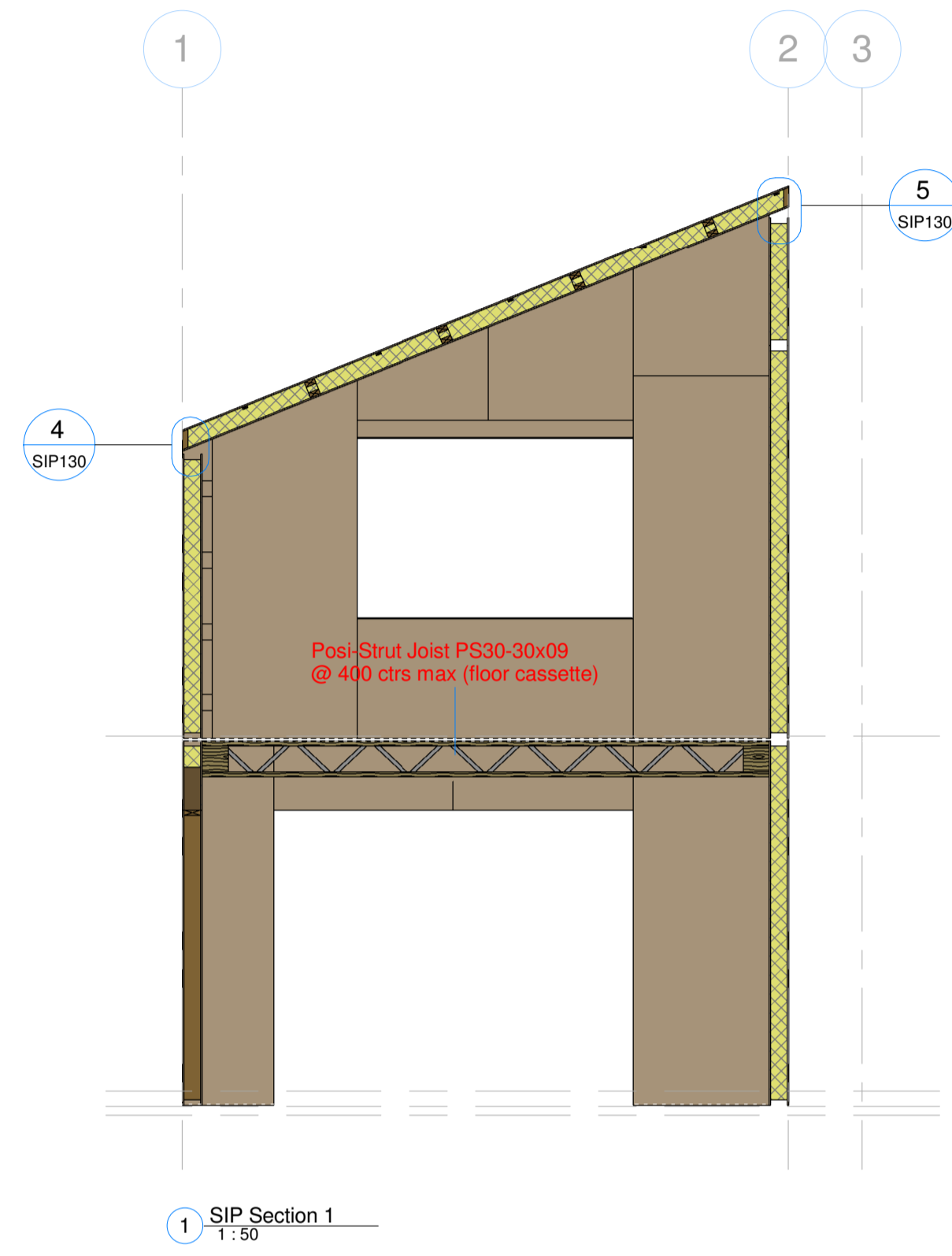
PROJECT	Soudley	CLIENT	
SHEET	Panel Floor Plans	Date Issue Date	19/09/2017
		Project number	1709
		Scale (@ A1)	1:50
		Drawn by	
		Author	
		Checked by	
		DRAWING NUMBER	SIP110
		REV	C

SHOP DRAWING REVIEW			
This documentation review is for general conformance with consultant plans and specifications only and does not serve to relieve NZSIP Ltd of contractual responsibilities.			
REVIEWED:	SIGN:	BY:	DATE:
REVIEWED WITH COMPANY:	CHANGES NOTED:		

**NOTES**

All work to be in accordance with current NZ Standards unless otherwise noted. Drawings to be read in conjunction with specifications, engineers and other consultant drawings. Engineer's drawings take pre-eminence over all other drawings. Contractors shall verify all structural matters. Contractors shall verify all conditions and dimensions on site and notify New Zealand Structural Insulated Panels Limited (NZSIP) of any dimensional errors, omissions or discrepancies before beginning or fabricating any work. Any changes with the approval of NZSIP and/or the local building authority in writing shall void NZSIP of all contractual obligations.

**Structural timber and steelwork indicated for coordination purposes only. This material will not be supplied by NZSIP unless specifically noted as such.**



- SIP screw fixings
- Roof Panel (compound spline joint)
- Roof truss top chord
- Additional 90x45 SG8 on panel joints. Nailing pattern to NZS3604 2.4.4.7



No.	Description	Date
B	PRODUCTION	19/09/2017
A	PRODUCTION	14/08/2017

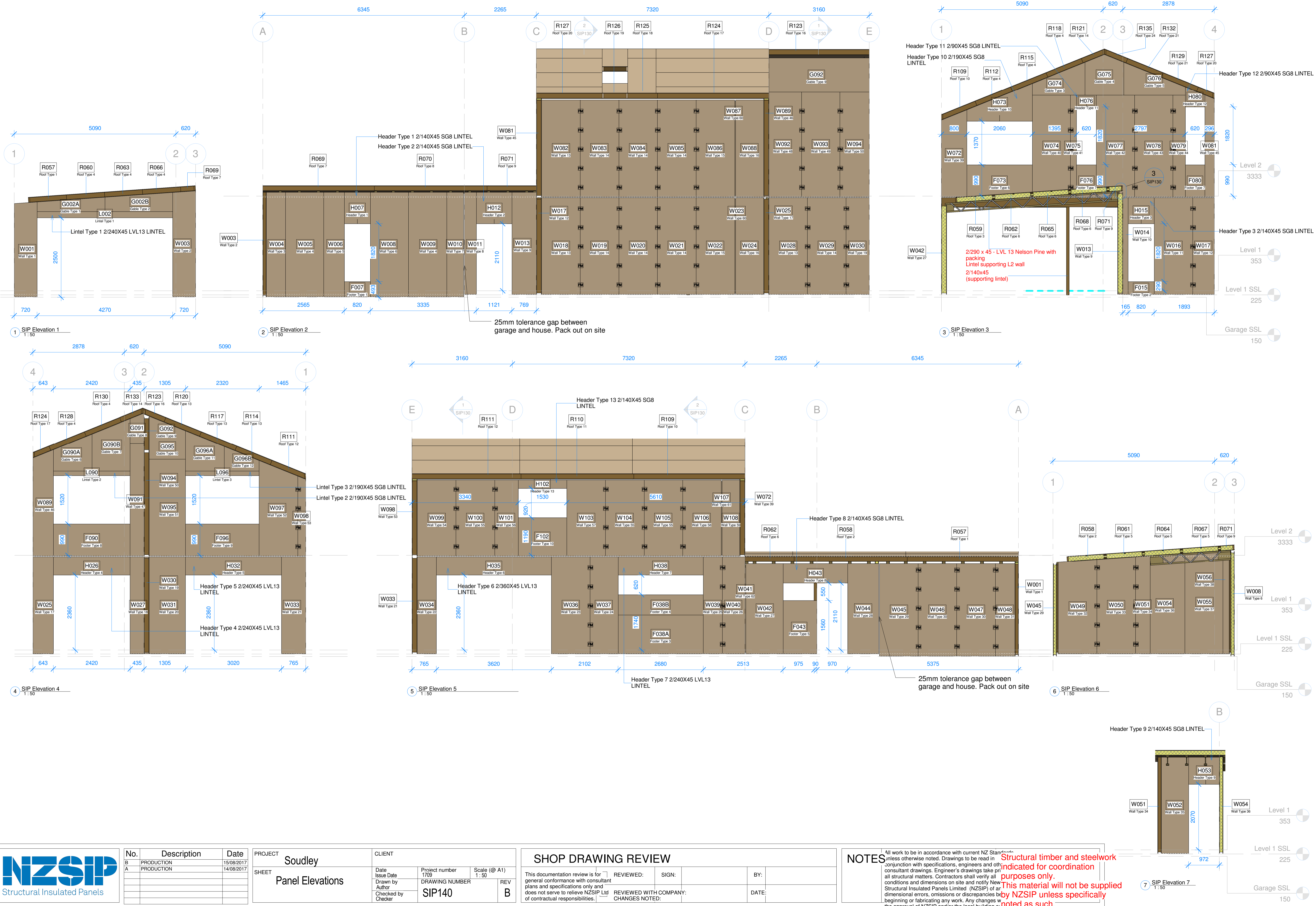
PROJECT	Soudley	CLIENT	
SHEET	Panel Sections	Date Issue Date	
		Drawn by	
		Checked by	
		Author	
		Project number	1709
		DRAWING NUMBER	SIP130
		Scale (@ A1)	As indicated
		REV	B

SHOP DRAWING REVIEW			
This documentation review is for general conformance with consultant plans and specifications only and does not serve to relieve NZSIP Ltd of contractual responsibilities.		REVIEWED:	SIGN:
		REVIEWED WITH COMPANY:	DATE:
		CHANGES NOTED:	

**NOTES**

All work to be in accordance with current NZ Standards unless otherwise noted. Drawings to be read in conjunction with specifications, engineers and other consultant drawings. Engineer's drawings take pre-conditions and dimensions on site and notify New Zealand Structural Insulated Panels Limited (NZSIP) of any dimensional errors, omissions or discrepancies before beginning or fabricating any work. Any changes with the approval of NZSIP and/or the local building authority in writing shall void NZSIP of all contractual obligations.

**Structural timber and steelwork indicated for coordination purposes only. This material will not be supplied by NZSIP unless specifically noted as such.**



No.	Description	Date
B	PRODUCTION	15/08/2017
A	PRODUCTION	14/08/2017

PROJECT	Soudley	CLIENT	
SHEET	Panel Elevations	Date Issue Date	1709
		Project number	1709
		Scale (@ A1)	1:50
		Drawn by	
		Checked by	
		DRAWING NUMBER	SIP140
		REV	B

SHOP DRAWING REVIEW			
This documentation review is for general conformance with consultant plans and specifications only and does not serve to relieve NZSIP Ltd of contractual responsibilities.			
REVIEWED:	SIGN:	BY:	DATE:
REVIEWED WITH COMPANY:	CHANGES NOTED:		

**NOTES**

All work to be in accordance with current NZ Standards unless otherwise noted. Drawings to be read in conjunction with specifications, engineers and other consultant drawings. Engineer's drawings take pre all structural matters. Contractors shall verify all conditions and dimensions on site and notify New Zealand Structural Insulated Panels Limited (NZSIP) of any dimensional errors, omissions or discrepancies before beginning or fabricating any work. Any changes with the approval of NZSIP and/or the local building authority in writing shall void NZSIP of all contractual obligations.

**Structural timber and steelwork indicated for coordination purposes only. This material will not be supplied by NZSIP unless specifically noted as such.**