

| Sheet Number | Sheet Name |
|--------------|---------------|
| SIP101 | Detail Legend |

All work to be in accordance with current NZ Standards unless otherwise noted. Drawings to be read in conjunction with specifications, engineers and other consultant drawings. Engineer's drawings take priority on all structural matters. Contractors shall verify all conditions and dimensions on site and notify New Zealand Structural Insulated Panels Limited (NZSIP) of any dimensional errors, omissions or discrepancies before beginning or fabricating any work. Any changes without the approval of NZSIP and/or the local building authority in writing shall void NZSIP of all contractual obligations.

| No. | Description | Date |
|-----|-------------|------------|
| 2 | INFO | 13/05/2019 |
| 1 | INFO | 21/05/2018 |
| | | |
| | | |

| | | | |
|----------------------------------|-------------------------|----------------|----------|
| PROJECT Standard Details | | | |
| SHEET Drawing Index - 100 | | | |
| CLIENT NZSIP | | | |
| Date May 2018 | Project number NZSIP | Scale (@ A4) | |
| Drawn by NZSIP | SIP100 | DRAWING NUMBER | REV |
| Checked by NZSIP | | | 2 |



Wall & Roof Underlay

Flexible roof and wall underlays must comply with NZBC Acceptable solution E2/AS1 Table 23 or breather -type membranes covered by a valid BRANZ Appraisal for use as roof or wall underlays. The NZSIP Smart Panel Building System will contribute to the cladding system compliance with NZBC Clause E2.3.2. Sealing tapes must be compatible with roof and wall underlays and OSB substrate.



Vapour control layer

Formed by Inside OSB face of Structural Insulated Panel.
Air sealing tapes, pipe and cable sealing grommets are to be installed to the inside face of structural insulated wall and roof panels at all joint and penetration locations. All aspects of this work shall be in accordance with the standard details and manufacturers instructions.

Target air infiltration rate to be confirmed at the pre-lining stage with a blower door test. Targets as follows

- Passive House Standard ≤ 0.6 ach-1 @50Pa (Mandatory)
- Projects with mechanical ventilation ≤ 1.5 ach-1 @50Pa (recommended)
- Projects with passive ventilation ≤ 3.0 ach-1 @50Pa (recommended)



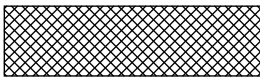
Damp proof membrane/Tanking

Specified by others



Damp proof course

Specified by other



Polyurethane insulation (PUR)



StrandBoard (SB)

Load-bearing boards for use in humid conditions



General Timber framing

SG8/LVL8 grade
H1.2 treatment unless otherwise noted.



Plywood

Grade and treatment as noted.



Foam Sealant

Applied onsite to junctions as indicated.

All work to be in accordance with current NZ Standards unless otherwise noted. Drawings to be read in conjunction with specifications, engineers and other consultant drawings. Engineer's drawings take priority on all structural matters. Contractors shall verify all conditions and dimensions on site and notify New Zealand Structural Insulated Panels Limited (NZSIP) of any dimensional errors, omissions or discrepancies before beginning or fabricating any work. Any changes without the approval of NZSIP and/or the local building authority in writing shall void NZSIP of all contractual obligations.

| No. | Description | Date |
|-----|-------------|------------|
| 3 | INFO | 16/07/2019 |
| 2 | INFO | 13/05/2019 |
| 1 | INFO | 21/05/2018 |
| | | |

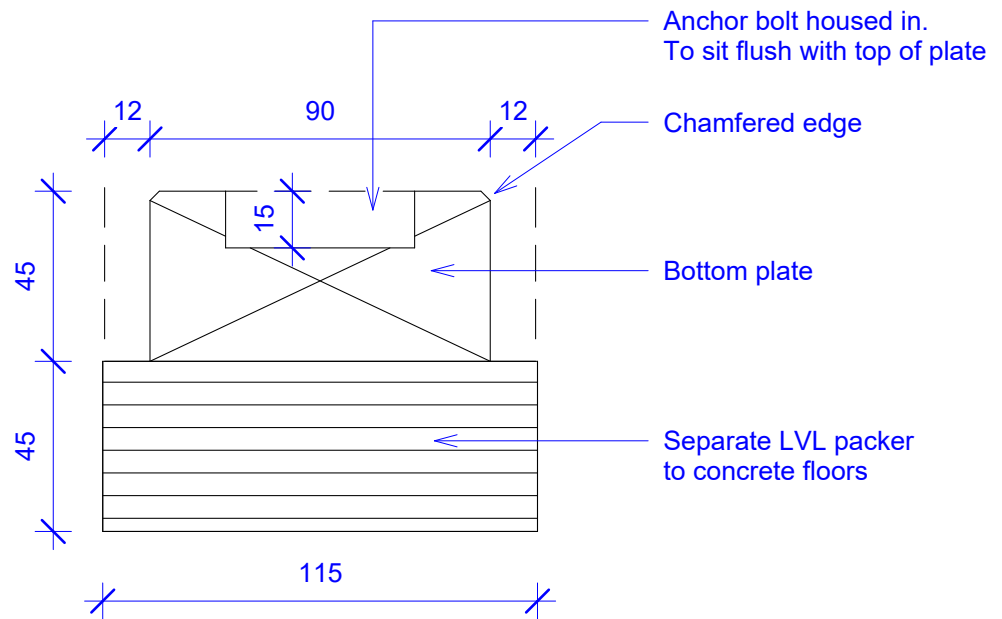
| | | | |
|---------------------------------|-------------------------|------------------------|----------|
| PROJECT Standard Details | | | |
| SHEET Detail Legend | | | |
| CLIENT NZSIP | | | |
| Date May 2018 | Project number NZSIP | Scale (@ A4) 1 : 10 | |
| Drawn by NZSIP | DRAWING NUMBER | | REV |
| Checked by NZSIP | SIP101 | | 3 |

| Sheet Number | Sheet Name |
|--------------|------------------------------------|
| SIP201 | Bottom Plate Section |
| SIP202 | Bottom Plate Plan |
| SIP207 | Bracing detail - Concrete floor |
| SIP208 | Bracing detail - Timber floor |
| SIP210 | Wall Footing - Concrete - Option 1 |
| SIP220 | Wall Footing - Timber Floor |

All work to be in accordance with current NZ Standards unless otherwise noted. Drawings to be read in conjunction with specifications, engineers and other consultant drawings. Engineer's drawings take priority on all structural matters. Contractors shall verify all conditions and dimensions on site and notify New Zealand Structural Insulated Panels Limited (NZSIP) of any dimensional errors, omissions or discrepancies before beginning or fabricating any work. Any changes without the approval of NZSIP and/or the local building authority in writing shall void NZSIP of all contractual obligations.

| No. | Description | Date |
|-----|-------------|------------|
| 4 | INFO | 16/07/2019 |
| 3 | INFO | 15/05/2019 |
| 2 | INFO | 13/05/2019 |
| 1 | INFO | 21/05/2018 |

| | | | |
|----------------------------------|-------------------------|--------------|----------|
| PROJECT Standard Details | | | |
| SHEET Drawing Index - 200 | | | |
| CLIENT NZSIP | | | |
| Date May 2018 | Project number NZSIP | Scale (@ A4) | |
| Drawn by | DRAWING NUMBER | | REV |
| Author | SIP200 | | 4 |
| Checked by Checker | | | |



All work to be in accordance with current NZ Standards unless otherwise noted. Drawings to be read in conjunction with specifications, engineers and other consultant drawings. Engineer's drawings take priority on all structural matters. Contractors shall verify all conditions and dimensions on site and notify New Zealand Structural Insulated Panels Limited (NZSIP) of any dimensional errors, omissions or discrepancies before beginning or fabricating any work. Any changes without the approval of NZSIP and/or the local building authority in writing shall void NZSIP of all contractual obligations.

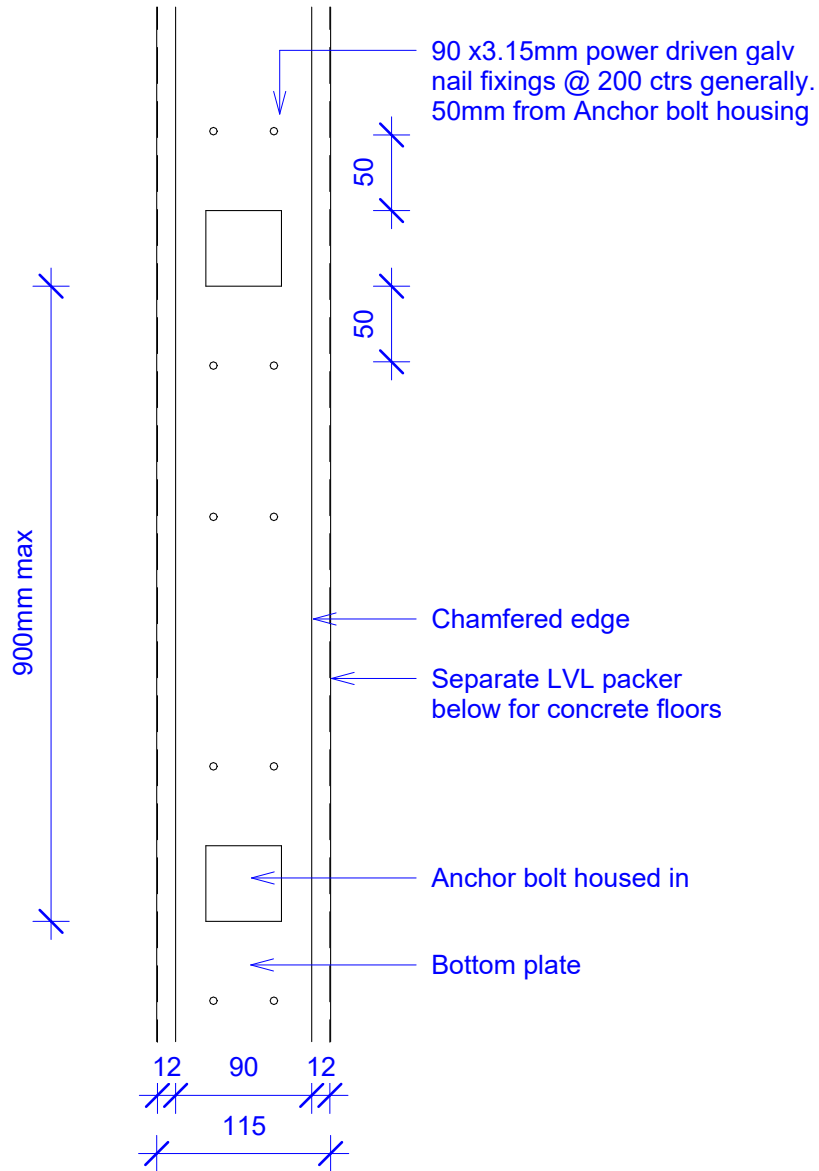
PROJECT **Standard Details**

SHEET **Bottom Plate Section**

CLIENT **NZSIP**

| | | |
|---------------------|---------------------------------|-----------------------|
| Date May 2018 | Project number NZSIP | Scale (@ A4) 1 : 2 |
| Drawn by NZSIP | DRAWING NUMBER SIP201 | REV 3 |
| Checked by NZSIP | | |

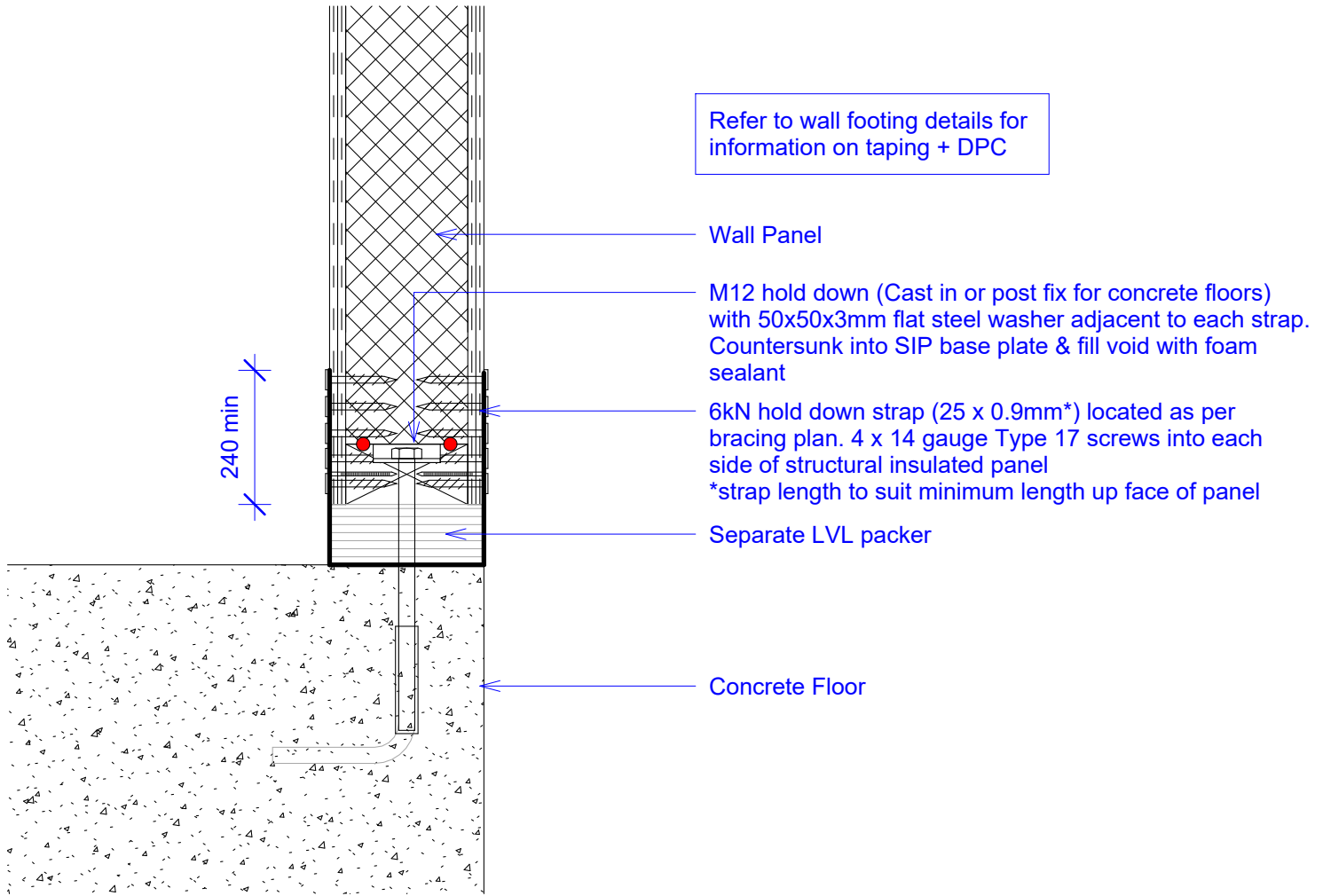
| No. | Description | Date |
|-----|-------------|------------|
| 3 | INFO | 29/07/2019 |
| 2 | INFO | 13/05/2019 |
| 1 | INFO | 21/05/2018 |
| | | |



All work to be in accordance with current NZ Standards unless otherwise noted. Drawings to be read in conjunction with specifications, engineers and other consultant drawings. Engineer's drawings take priority on all structural matters. Contractors shall verify all conditions and dimensions on site and notify New Zealand Structural Insulated Panels Limited (NZSIP) of any dimensional errors, omissions or discrepancies before beginning or fabricating any work. Any changes without the approval of NZSIP and/or the local building authority in writing shall void NZSIP of all contractual obligations.

| | | | | | |
|------------|----------------|--------------|--|-------------------|--|
| PROJECT | | | | Standard Details | |
| SHEET | | | | Bottom Plate Plan | |
| CLIENT | | | | NZSIP | |
| Date | Project number | Scale (@ A4) | | | |
| May 2018 | NZSIP | 1 : 5 | | | |
| Drawn by | DRAWING NUMBER | | | REV | |
| NZSIP | SIP202 | | | 3 | |
| Checked by | | | | | |
| NZSIP | | | | | |

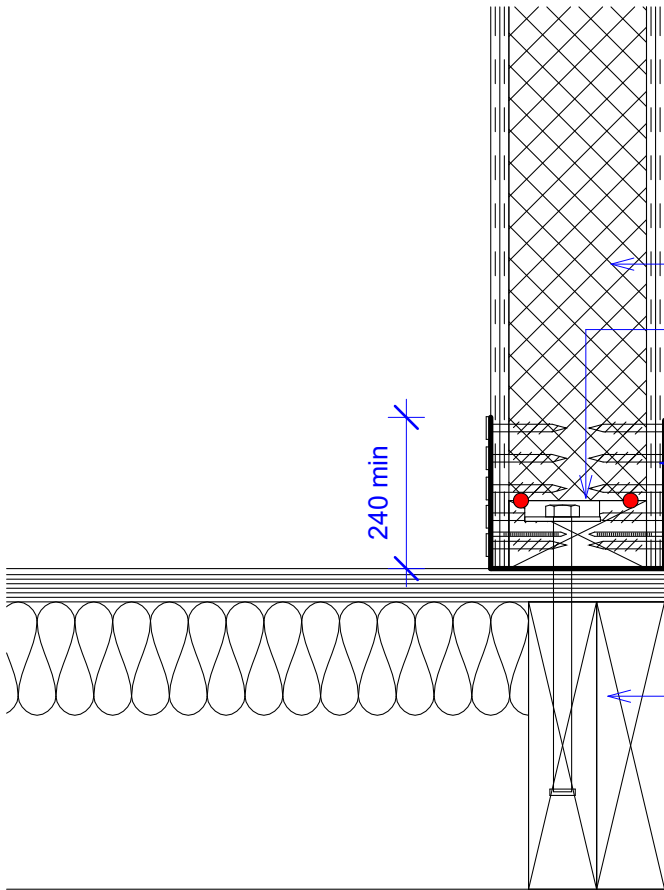
| No. | Description | Date |
|-----|-------------|------------|
| 3 | INFO | 29/07/2019 |
| 2 | INFO | 13/05/2019 |
| 1 | INFO | 21/05/2018 |
| | | |



All work to be in accordance with current NZ Standards unless otherwise noted. Drawings to be read in conjunction with specifications, engineers and other consultant drawings. Engineer's drawings take priority on all structural matters. Contractors shall verify all conditions and dimensions on site and notify New Zealand Structural Insulated Panels Limited (NZSIP) of any dimensional errors, omissions or discrepancies before beginning or fabricating any work. Any changes without the approval of NZSIP and/or the local building authority in writing shall void NZSIP of all contractual obligations.

| | | | |
|--|-------------------------|-----------------------|----------|
| PROJECT Standard Details | | | |
| SHEET Bracing detail - Concrete floor | | | |
| CLIENT NZSIP | | | |
| Date May 2018 | Project number NZSIP | Scale (@ A4) 1 : 5 | |
| Drawn by NZSIP | DRAWING NUMBER | | REV |
| Checked by NZSIP | SIP207 | | 6 |

| No. | Description | Date |
|-----|-------------|------------|
| 6 | INFO | 29/07/2019 |
| 5 | INFO | 16/07/2019 |
| 4 | INFO | 15/05/2019 |
| 3 | INFO | 13/05/2019 |



Refer to wall footing details for information on taping

Wall Panel

M12 hold down according to NZS3604 with 50x50x3mm flat steel washer adjacent to each strap. Countersunk into SIP base plate & fill void with foam sealant

6kN hold down strap (25 x 0.9mm*) located as per bracing plan. 4 x 14 gauge Type 17 screws into each side of structural insulated panel

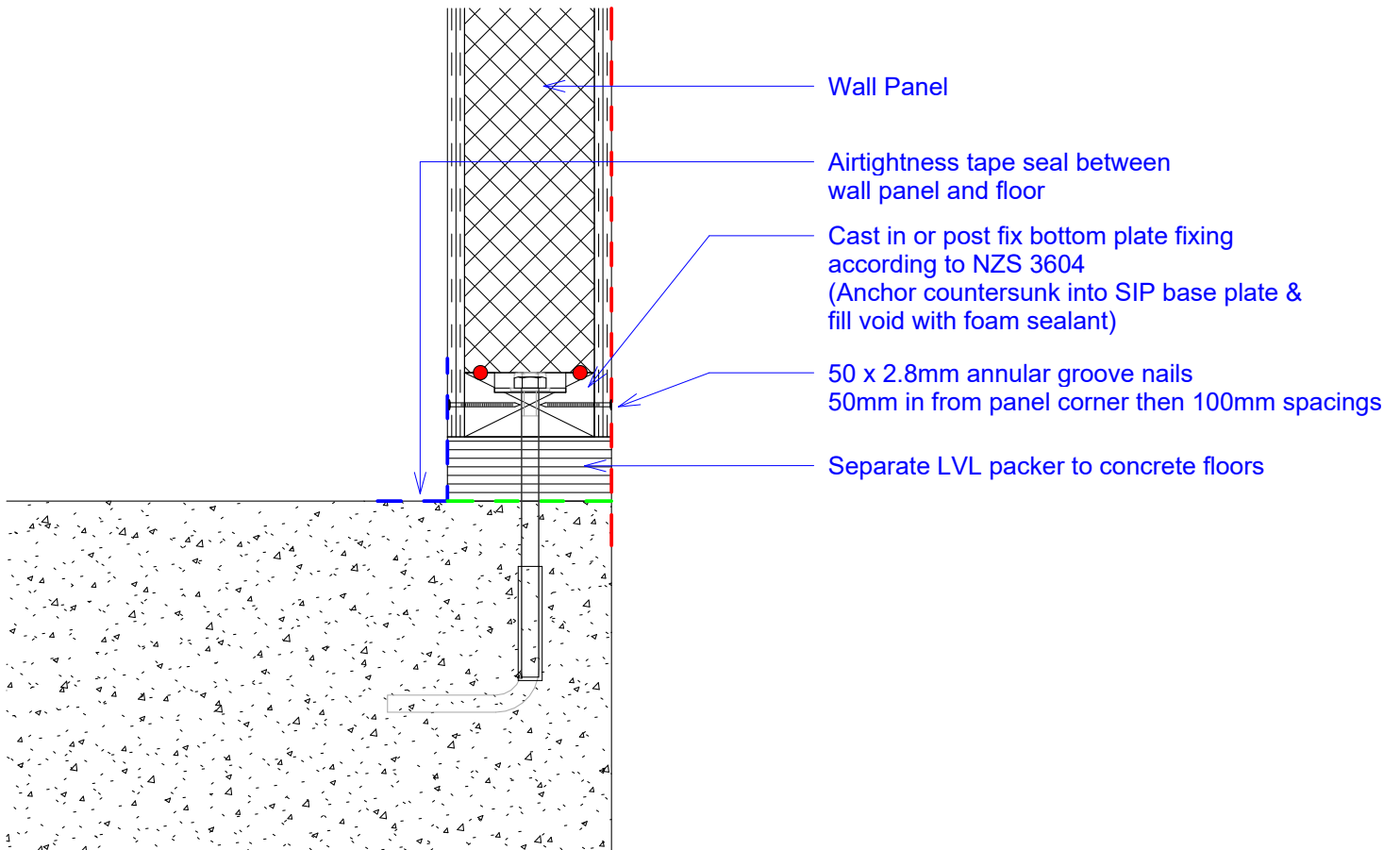
*strap length to suit minimum length up face of panel

Timber Floor to NZS3604

All work to be in accordance with current NZ Standards unless otherwise noted. Drawings to be read in conjunction with specifications, engineers and other consultant drawings. Engineer's drawings take priority on all structural matters. Contractors shall verify all conditions and dimensions on site and notify New Zealand Structural Insulated Panels Limited (NZSIP) of any dimensional errors, omissions or discrepancies before beginning or fabricating any work. Any changes without the approval of NZSIP and/or the local building authority in writing shall void NZSIP of all contractual obligations.

| No. | Description | Date |
|-----|-------------|------------|
| 3 | INFO | 29/07/2019 |
| 2 | INFO | 16/07/2019 |
| 1 | INFO | 21/05/2018 |

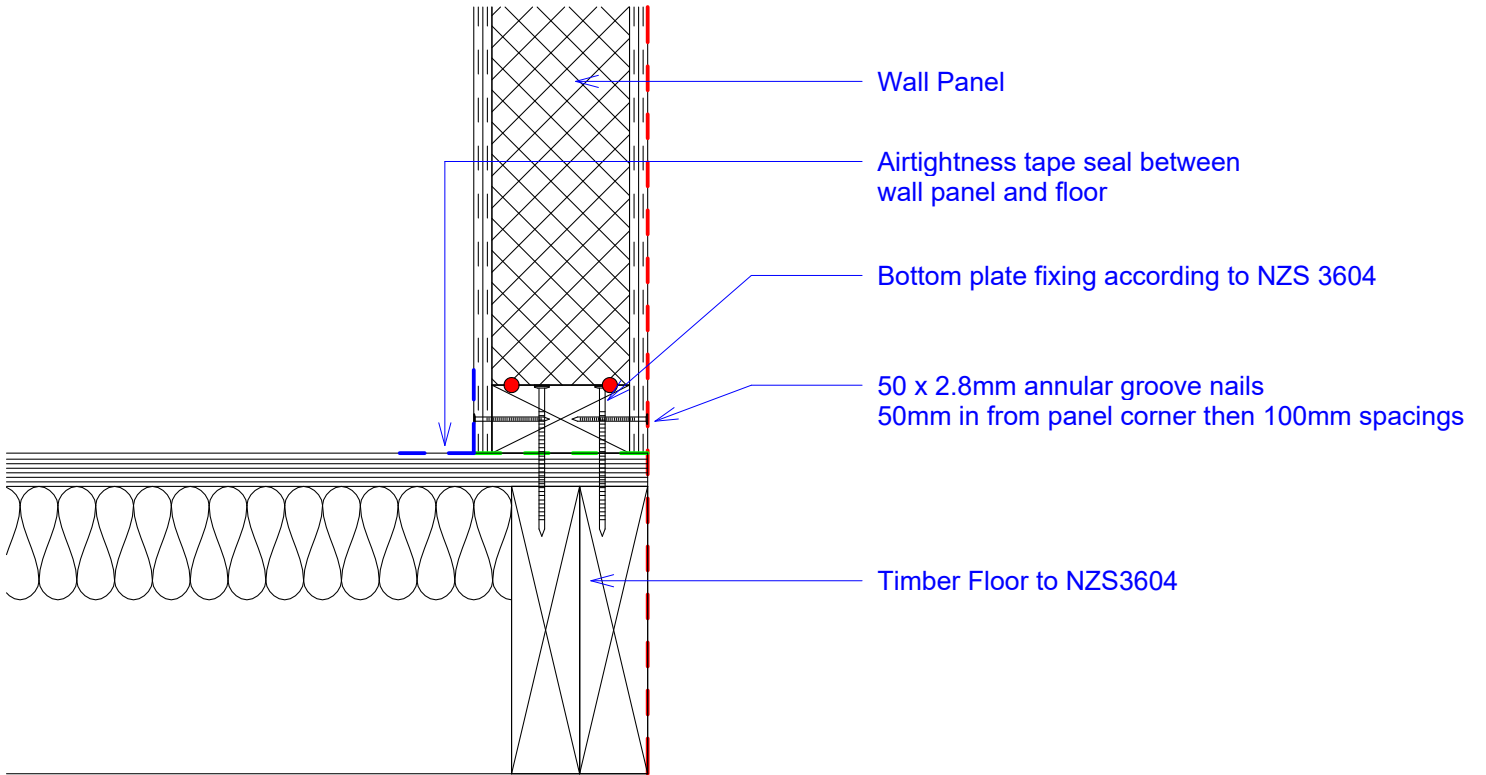
| | | | |
|--|-------------------------|-----------------------|----------|
| PROJECT Standard Details | | | |
| SHEET Bracing detail - Timber floor | | | |
| CLIENT NZSIP | | | |
| Date May 2018 | Project number NZSIP | Scale (@ A4) 1 : 5 | |
| Drawn by NZSIP | DRAWING NUMBER | | REV |
| Checked by NZSIP | SIP208 | | 3 |



All work to be in accordance with current NZ Standards unless otherwise noted. Drawings to be read in conjunction with specifications, engineers and other consultant drawings. Engineer's drawings take priority on all structural matters. Contractors shall verify all conditions and dimensions on site and notify New Zealand Structural Insulated Panels Limited (NZSIP) of any dimensional errors, omissions or discrepancies before beginning or fabricating any work. Any changes without the approval of NZSIP and/or the local building authority in writing shall void NZSIP of all contractual obligations.

| No. | Description | Date |
|-----|-------------|------------|
| 5 | INFO | 07/07/2021 |
| 4 | INFO | 29/07/2019 |
| 3 | INFO | 16/07/2019 |
| 2 | INFO | 13/05/2019 |

| | | | |
|---|-------------------------|-----------------------|----------|
| PROJECT Standard Details | | | |
| SHEET Wall Footing - Concrete - Option 1 | | | |
| CLIENT NZSIP | | | |
| Date May 2018 | Project number NZSIP | Scale (@ A4) 1 : 5 | |
| Drawn by NZSIP | DRAWING NUMBER | | REV |
| Checked by NZSIP | SIP210 | | 5 |



All work to be in accordance with current NZ Standards unless otherwise noted. Drawings to be read in conjunction with specifications, engineers and other consultant drawings. Engineer's drawings take priority on all structural matters. Contractors shall verify all conditions and dimensions on site and notify New Zealand Structural Insulated Panels Limited (NZSIP) of any dimensional errors, omissions or discrepancies before beginning or fabricating any work. Any changes without the approval of NZSIP and/or the local building authority in writing shall void NZSIP of all contractual obligations.

PROJECT **Standard Details**

SHEET **Wall Footing - Timber Floor**

CLIENT **NZSIP**

| No. | Description | Date |
|-----|-------------|------------|
| 4 | INFO | 07/07/2021 |
| 3 | INFO | 16/07/2019 |
| 2 | INFO | 13/05/2019 |
| 1 | INFO | 21/05/2018 |

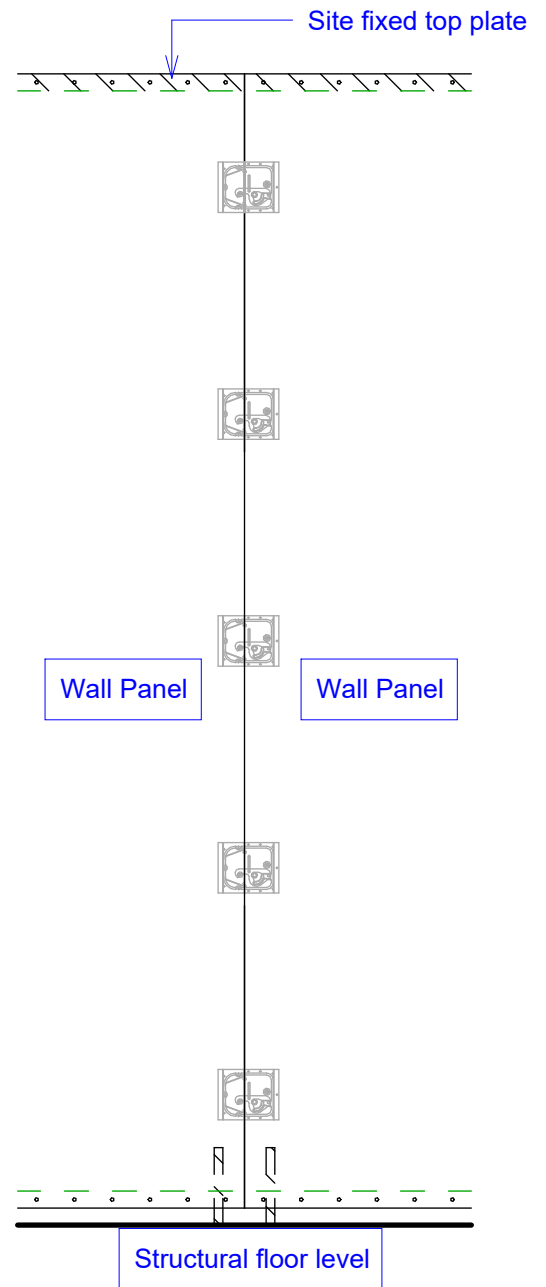
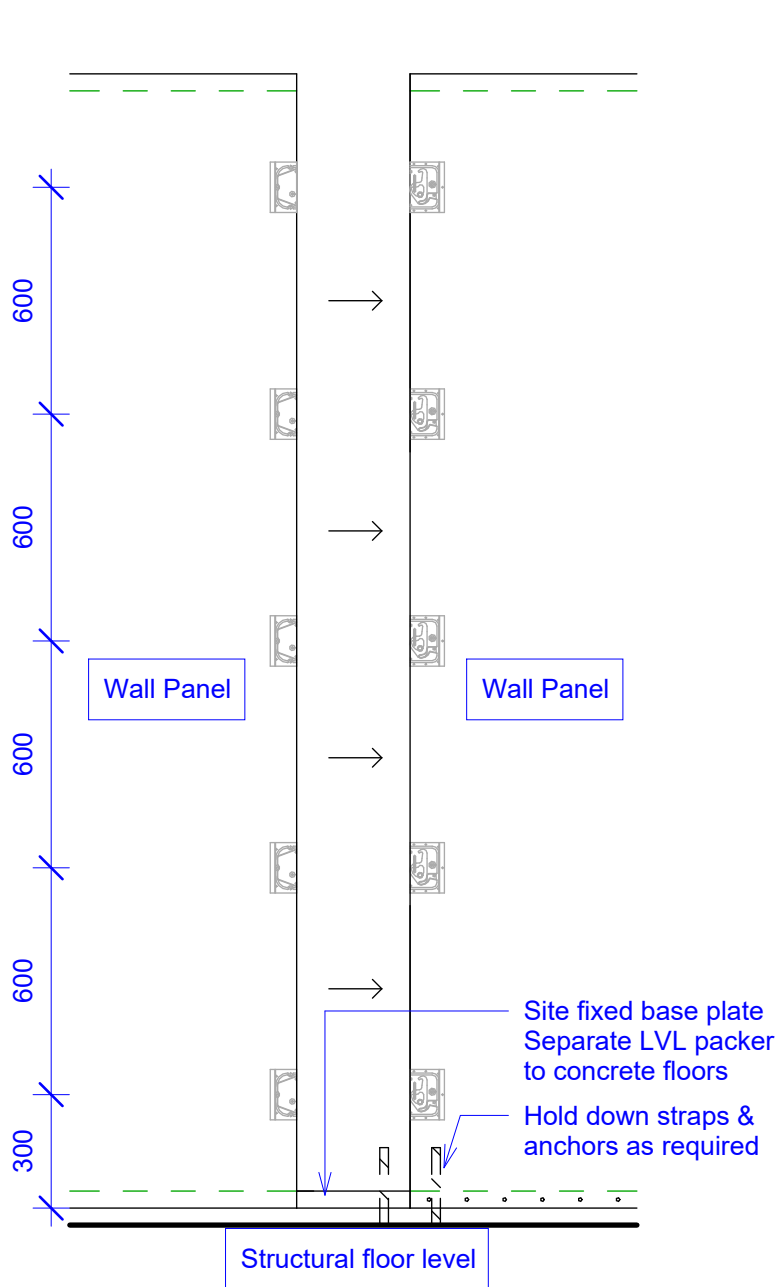
| | | |
|---------------------|---------------------------------|-----------------------|
| Date May 2018 | Project number NZSIP | Scale (@ A4) 1 : 5 |
| Drawn by NZSIP | DRAWING NUMBER SIP220 | REV 4 |
| Checked by NZSIP | | |

| Sheet Number | Sheet Name |
|--------------|-------------------------------|
| SIP307 | Bracing elevation |
| SIP310 | CAM Lock - Plan |
| SIP311 | Panel in Panel Spline |
| SIP312 | Corner Detail |
| SIP313 | Internal Wall - Plan |
| SIP314 | Internal Wall - Section |
| SIP316 | Panel joints |
| SIP320 | Typical Cladding Fixings |
| SIP330 | Rebate Elevation |
| SIP340 | Beam Elevations |
| SIP341 | Beam Pocket fixings |
| SIP350 | Wall penetration |
| SIP360 | Fire rated wall - elevation |
| SIP361 | Fire rated wall - plan detail |

All work to be in accordance with current NZ Standards unless otherwise noted. Drawings to be read in conjunction with specifications, engineers and other consultant drawings. Engineer's drawings take priority on all structural matters. Contractors shall verify all conditions and dimensions on site and notify New Zealand Structural Insulated Panels Limited (NZSIP) of any dimensional errors, omissions or discrepancies before beginning or fabricating any work. Any changes without the approval of NZSIP and/or the local building authority in writing shall void NZSIP of all contractual obligations.

| | | |
|----------------------------------|-------------------------|--------------|
| PROJECT Standard Details | | |
| SHEET Drawing Index - 300 | | |
| CLIENT NZSIP | | |
| Date May 2018 | Project number NZSIP | Scale (@ A4) |
| Drawn by | SIP300 | REV |
| Author | | 6 |
| Checked by Checker | | |

| No. | Description | Date |
|-----|-------------|------------|
| 6 | INFO | 15/06/2021 |
| 5 | INFO | 16/07/2019 |
| 4 | INFO | 15/05/2019 |
| 3 | INFO | 13/05/2019 |

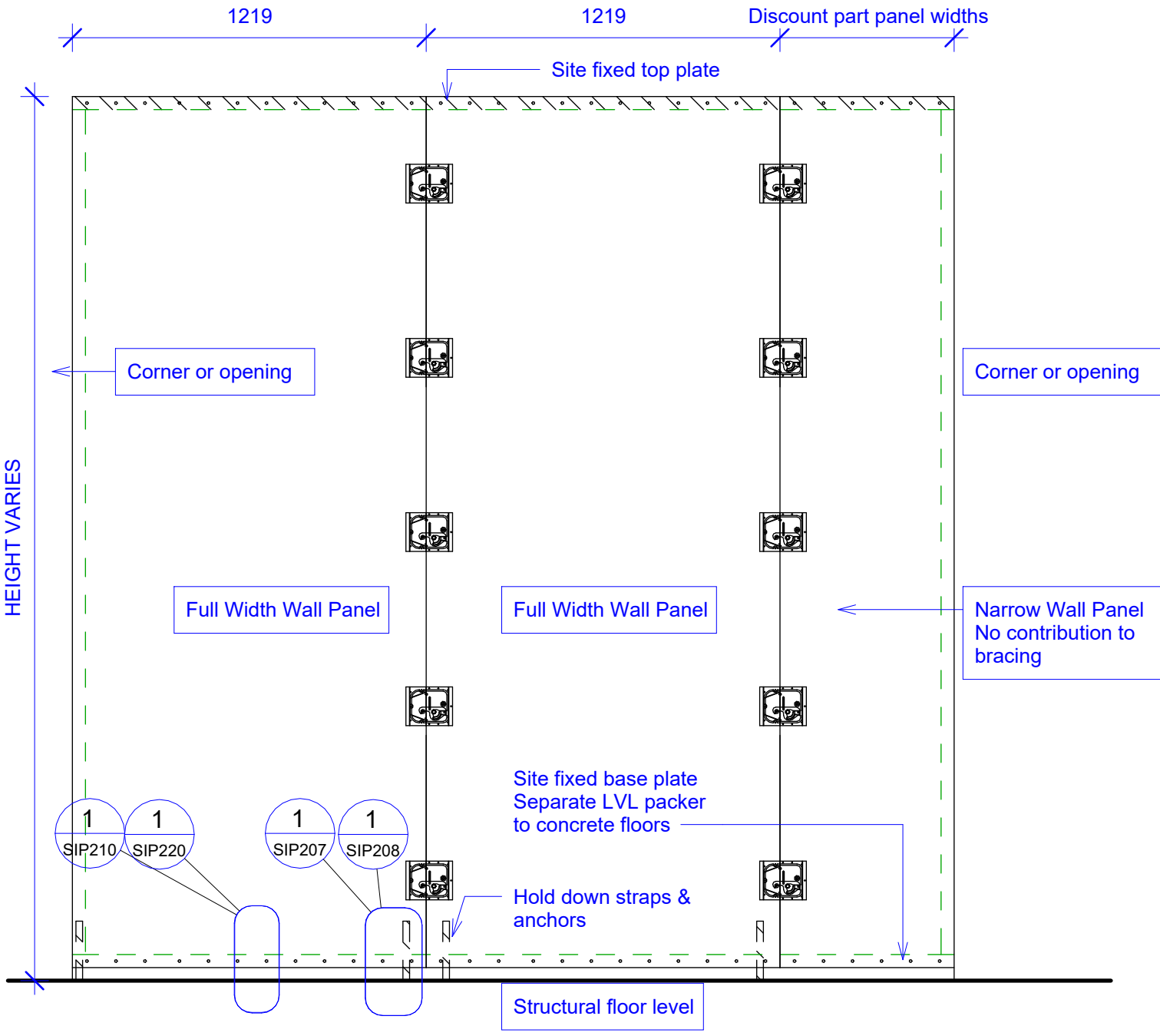


All work to be in accordance with current NZ Standards unless otherwise noted. Drawings to be read in conjunction with specifications, engineers and other consultant drawings. Engineer's drawings take priority on all structural matters. Contractors shall verify all conditions and dimensions on site and notify New Zealand Structural Insulated Panels Limited (NZSIP) of any dimensional errors, omissions or discrepancies before beginning or fabricating any work. Any changes without the approval of NZSIP and/or the local building authority in writing shall void NZSIP of all contractual obligations.

| No. | Description | Date |
|-----|-------------|------------|
| 2 | INFO | 13/05/2019 |
| 1 | INFO | 21/05/2018 |
| | | |
| | | |

| | | | |
|-----------------------------------|-------------------------|------------------------|----------|
| PROJECT Standard Details | | | |
| SHEET CAM Lock - Elevation | | | |
| CLIENT NZSIP | | | |
| Date May 2018 | Project number NZSIP | Scale (@ A4) 1 : 20 | |
| Drawn by NZSIP | DRAWING NUMBER | | REV |
| Checked by NZSIP | SIP301 | | 2 |

BU wind = 114 BU/m
BU earthquake = 116 BU/m



All work to be in accordance with current NZ Standards unless otherwise noted. Drawings to be read in conjunction with specifications, engineers and other consultant drawings. Engineer's drawings take priority on all structural matters. Contractors shall verify all conditions and dimensions on site and notify New Zealand Structural Insulated Panels Limited (NZSIP) of any dimensional errors, omissions or discrepancies before beginning or fabricating any work. Any changes without the approval of NZSIP and/or the local building authority in writing shall void NZSIP of all contractual obligations.

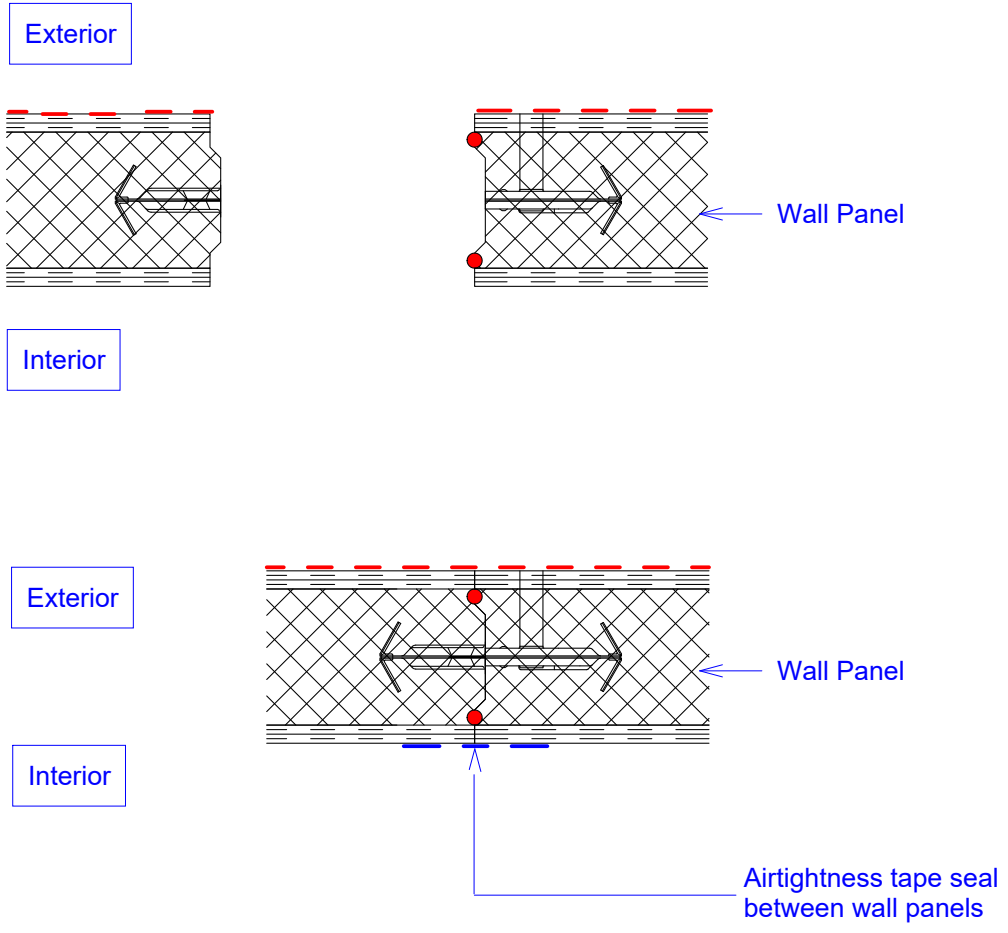
PROJECT **Standard Details**

SHEET **Bracing elevation**

CLIENT **NZSIP**

| No. | Description | Date |
|-----|-------------|------------|
| 6 | INFO | 29/07/2019 |
| 5 | INFO | 16/07/2019 |
| 4 | INFO | 15/05/2019 |
| 3 | INFO | 13/05/2019 |

| | | |
|---------------------|---------------------------------|------------------------|
| Date May 2018 | Project number NZSIP | Scale (@ A4) 1 : 20 |
| Drawn by NZSIP | DRAWING NUMBER SIP307 | REV 6 |
| Checked by NZSIP | | |

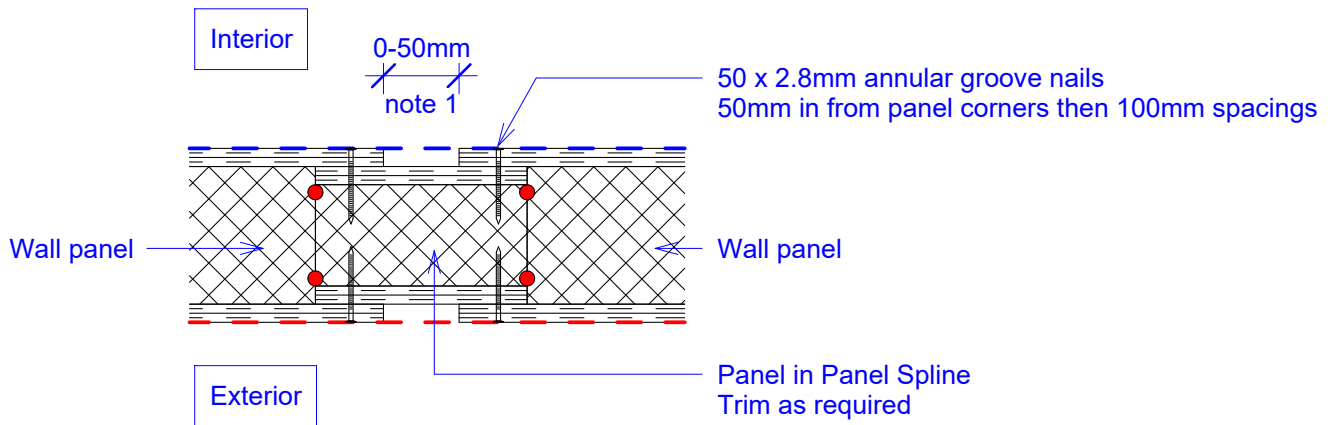
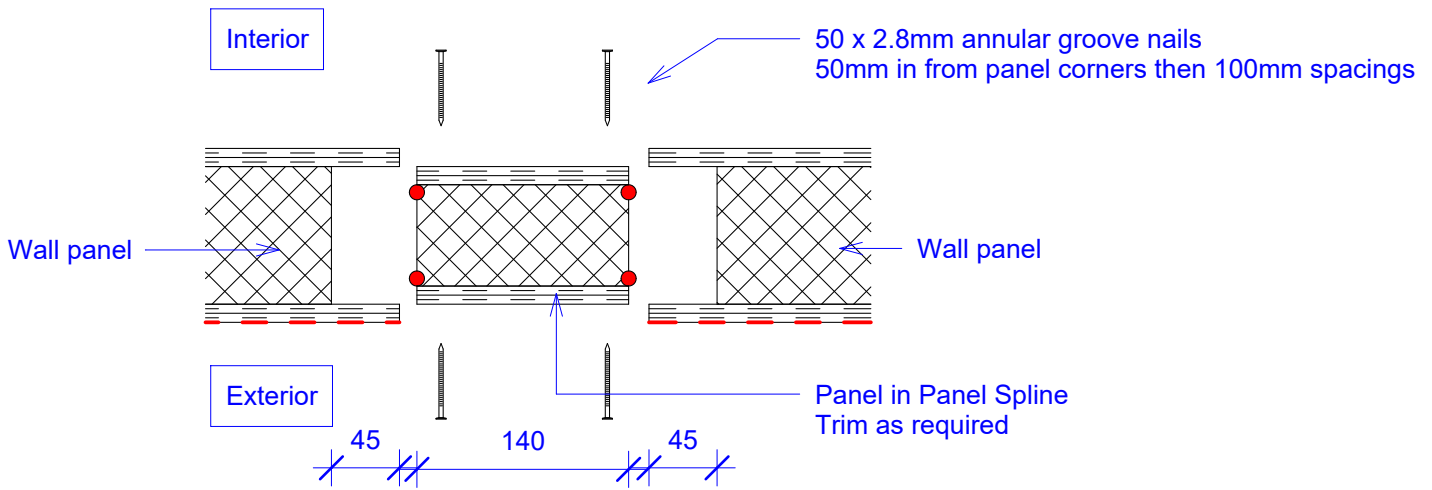


THIS IS THE STANDARD METHOD OF CONNECTING WALL PANELS

All work to be in accordance with current NZ Standards unless otherwise noted. Drawings to be read in conjunction with specifications, engineers and other consultant drawings. Engineer's drawings take priority on all structural matters. Contractors shall verify all conditions and dimensions on site and notify New Zealand Structural Insulated Panels Limited (NZSIP) of any dimensional errors, omissions or discrepancies before beginning or fabricating any work. Any changes without the approval of NZSIP and/or the local building authority in writing shall void NZSIP of all contractual obligations.

| No. | Description | Date |
|-----|-------------|------------|
| 2 | INFO | 13/05/2019 |
| 1 | INFO | 21/05/2018 |
| | | |
| | | |

| | | | |
|---------------------------------|---------------------------------|-----------------------|-----------------|
| PROJECT Standard Details | | | |
| SHEET CAM Lock - Plan | | | |
| CLIENT NZSIP | | | |
| Date May 2018 | Project number NZSIP | Scale (@ A4) 1 : 5 | |
| Drawn by NZSIP | DRAWING NUMBER SIP310 | | REV 2 |
| Checked by NZSIP | | | |

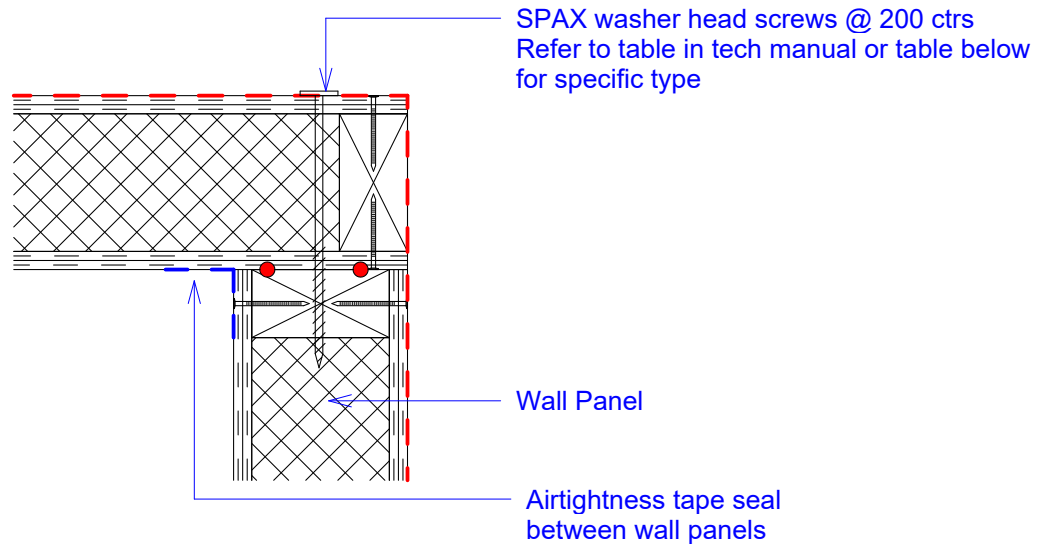


PANEL IN PANEL SPLINES ARE TYPICALLY USED IN LONG RUNS OF WALL PANELS TO INTRODUCE TOLERANCE
 Panel plan will set wall panels 25mm apart.
 Gap can be adjusted from 0-50mm

All work to be in accordance with current NZ Standards unless otherwise noted. Drawings to be read in conjunction with specifications, engineers and other consultant drawings. Engineer's drawings take priority on all structural matters. Contractors shall verify all conditions and dimensions on site and notify New Zealand Structural Insulated Panels Limited (NZSIP) of any dimensional errors, omissions or discrepancies before beginning or fabricating any work. Any changes without the approval of NZSIP and/or the local building authority in writing shall void NZSIP of all contractual obligations.

| No. | Description | Date |
|-----|-------------|------------|
| 3 | INFO | 07/07/2021 |
| 2 | INFO | 13/05/2019 |
| 1 | INFO | 21/05/2018 |

| | | | |
|------------------------------------|-------------------------|-----------------------|----------|
| PROJECT Standard Details | | | |
| SHEET Panel in Panel Spline | | | |
| CLIENT NZSIP | | | |
| Date May 2018 | Project number NZSIP | Scale (@ A4) 1 : 5 | |
| Drawn by NZSIP | DRAWING NUMBER | | REV |
| Checked by NZSIP | SIP311 | | 3 |



SPAX washer head screws fixing schedule

Washer Head type screws for fixing roof panels, wall panels and beams together are selected from the following.

115 mm thick panel 160 mm x 8 mm
(corner, internal wall or gable connection)

165 mm thick panel 220 mm x 8 mm
(corner, internal wall, gable or roof beam connection)

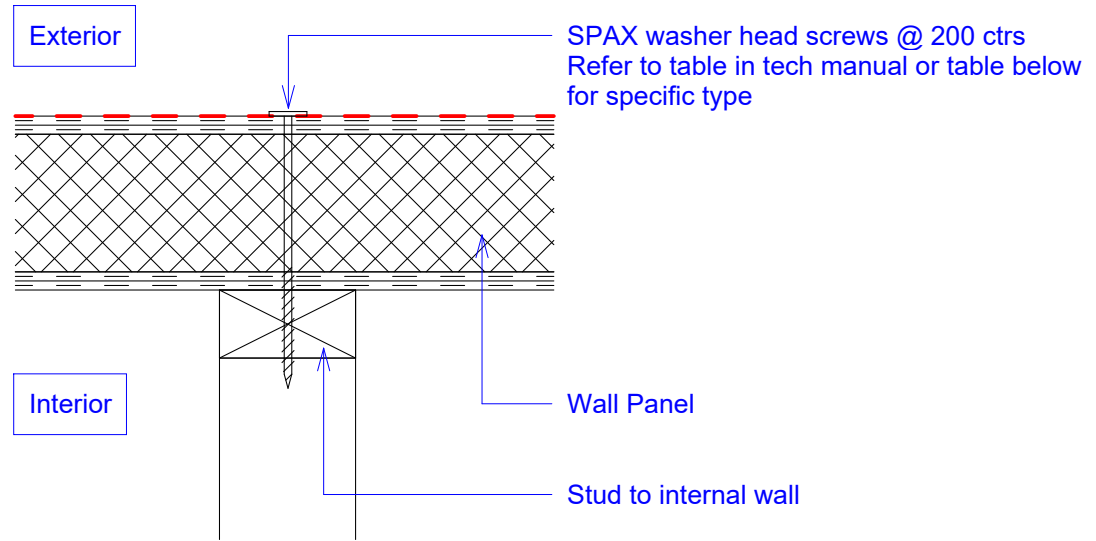
165 mm thick Roof at maximum 30° Roof pitch 280 mm x 10 mm (eave or roof beam connection)

215 mm thick Roof at maximum 30° Roof pitch 320 mm x 10 mm (eave or roof beam connection)

All work to be in accordance with current NZ Standards unless otherwise noted. Drawings to be read in conjunction with specifications, engineers and other consultant drawings. Engineer's drawings take priority on all structural matters. Contractors shall verify all conditions and dimensions on site and notify New Zealand Structural Insulated Panels Limited (NZSIP) of any dimensional errors, omissions or discrepancies before beginning or fabricating any work. Any changes without the approval of NZSIP and/or the local building authority in writing shall void NZSIP of all contractual obligations.

| No. | Description | Date |
|-----|-------------|------------|
| 3 | INFO | 12/08/2019 |
| 2 | INFO | 13/05/2019 |
| 1 | INFO | 21/05/2018 |

| | | | |
|---------------------------------|-------------------------|------------------------------|----------|
| PROJECT Standard Details | | | |
| SHEET Corner Detail | | | |
| CLIENT NZSIP | | | |
| Date May 2018 | Project number NZSIP | Scale (@ A4) As indicated | |
| Drawn by NZSIP | DRAWING NUMBER | | REV |
| Checked by NZSIP | SIP312 | | 3 |



SPAX washer head screws fixing schedule

Washer Head type screws for fixing roof panels, wall panels and beams together are selected from the following.

115 mm thick panel 160 mm x 8 mm
(corner, internal wall or gable connection)

165 mm thick panel 220 mm x 8 mm
(corner, internal wall, gable or roof beam connection)

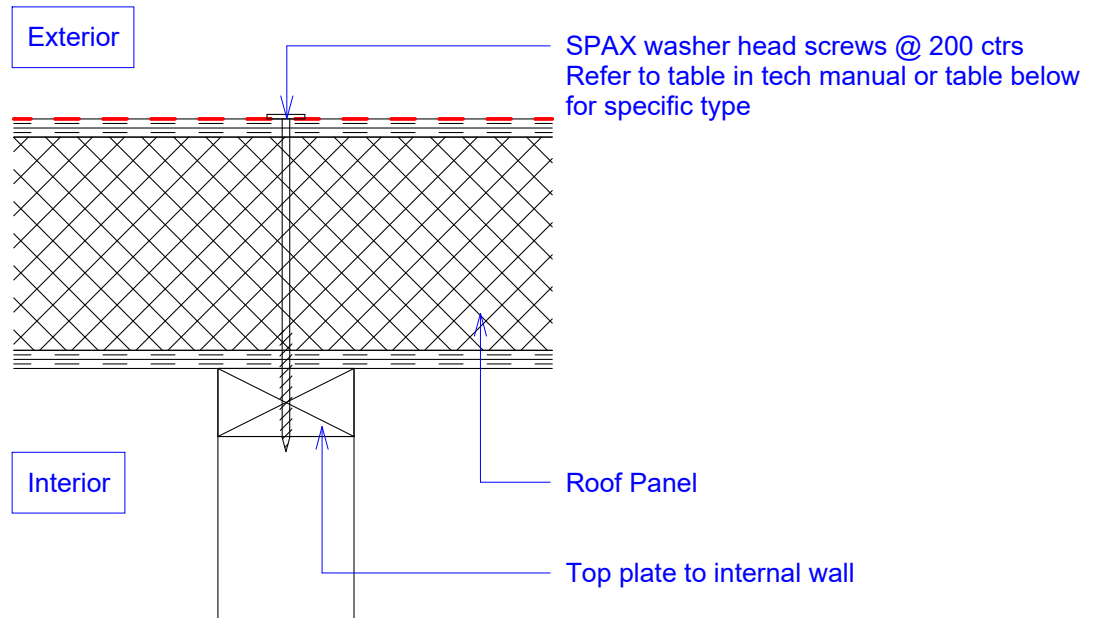
165 mm thick Roof at maximum 30° Roof pitch 280 mm x 10 mm (eave or roof beam connection)

215 mm thick Roof at maximum 30° Roof pitch 320 mm x 10 mm (eave or roof beam connection)

All work to be in accordance with current NZ Standards unless otherwise noted. Drawings to be read in conjunction with specifications, engineers and other consultant drawings. Engineer's drawings take priority on all structural matters. Contractors shall verify all conditions and dimensions on site and notify New Zealand Structural Insulated Panels Limited (NZSIP) of any dimensional errors, omissions or discrepancies before beginning or fabricating any work. Any changes without the approval of NZSIP and/or the local building authority in writing shall void NZSIP of all contractual obligations.

| No. | Description | Date |
|-----|-------------|------------|
| 4 | INFO | 12/08/2019 |
| 3 | INFO | 29/07/2019 |
| 2 | INFO | 13/05/2019 |
| 1 | INFO | 21/05/2018 |

| | | | |
|-----------------------------------|-------------------------|------------------------------|----------|
| PROJECT Standard Details | | | |
| SHEET Internal Wall - Plan | | | |
| CLIENT NZSIP | | | |
| Date May 2018 | Project number NZSIP | Scale (@ A4) As indicated | |
| Drawn by NZSIP | DRAWING NUMBER | | REV |
| Checked by NZSIP | SIP313 | | 4 |



SPAX washer head screws fixing schedule

Washer Head type screws for fixing roof panels, wall panels and beams together are selected from the following.

115 mm thick panel 160 mm x 8 mm
(corner, internal wall or gable connection)

165 mm thick panel 220 mm x 8 mm
(corner, internal wall, gable or roof beam connection)

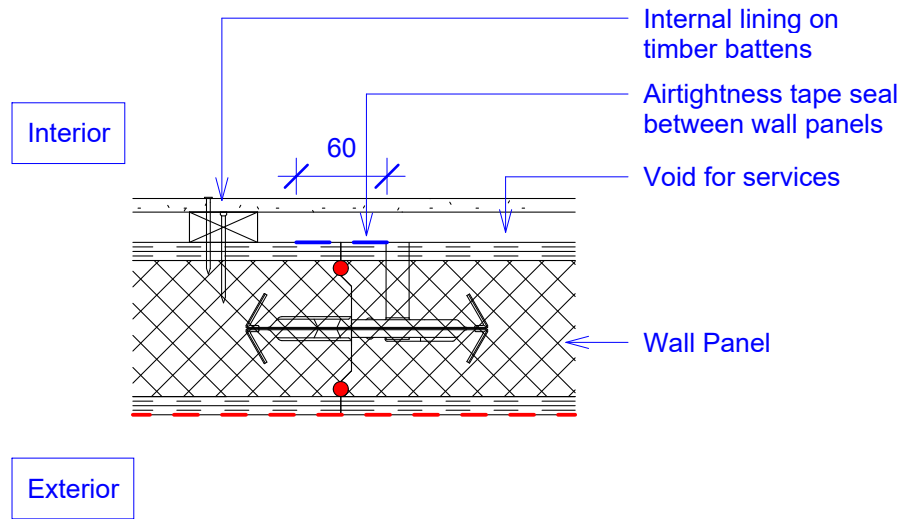
165 mm thick Roof at maximum 30° Roof pitch 280 mm x 10 mm (eave or roof beam connection)

215 mm thick Roof at maximum 30° Roof pitch 320 mm x 10 mm (eave or roof beam connection)

All work to be in accordance with current NZ Standards unless otherwise noted. Drawings to be read in conjunction with specifications, engineers and other consultant drawings. Engineer's drawings take priority on all structural matters. Contractors shall verify all conditions and dimensions on site and notify New Zealand Structural Insulated Panels Limited (NZSIP) of any dimensional errors, omissions or discrepancies before beginning or fabricating any work. Any changes without the approval of NZSIP and/or the local building authority in writing shall void NZSIP of all contractual obligations.

| No. | Description | Date |
|-----|-------------|------------|
| 4 | INFO | 12/08/2019 |
| 3 | INFO | 29/07/2019 |
| 2 | INFO | 13/05/2019 |
| 1 | INFO | 21/05/2018 |

| | | |
|--------------------------------------|---------------------------------|------------------------------|
| PROJECT Standard Details | | |
| SHEET Internal Wall - Section | | |
| CLIENT NZSIP | | |
| Date May 2018 | Project number NZSIP | Scale (@ A4) As indicated |
| Drawn by NZSIP | DRAWING NUMBER SIP314 | REV 4 |
| Checked by NZSIP | | |



All work to be in accordance with current NZ Standards unless otherwise noted. Drawings to be read in conjunction with specifications, engineers and other consultant drawings. Engineer's drawings take priority on all structural matters. Contractors shall verify all conditions and dimensions on site and notify New Zealand Structural Insulated Panels Limited (NZSIP) of any dimensional errors, omissions or discrepancies before beginning or fabricating any work. Any changes without the approval of NZSIP and/or the local building authority in writing shall void NZSIP of all contractual obligations.

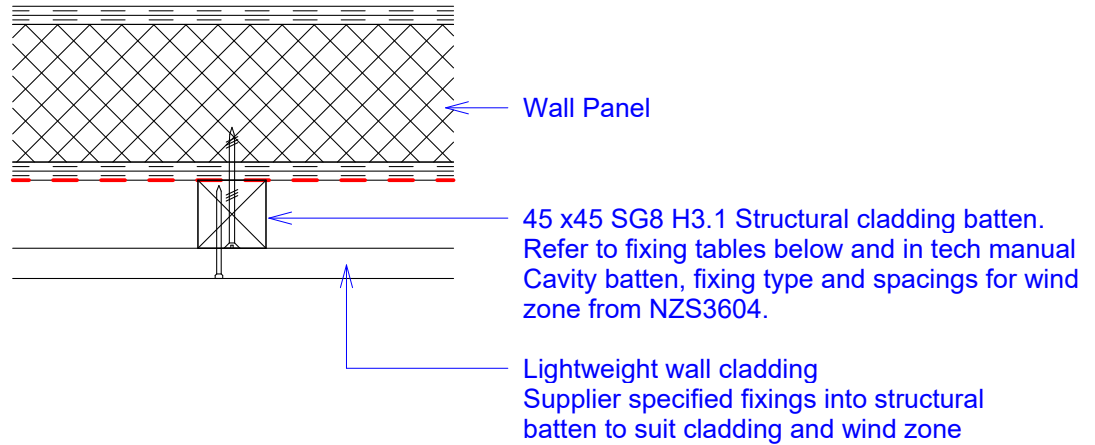
PROJECT **Standard Details**

SHEET **Panel joints**

CLIENT **NZSIP**

| No. | Description | Date |
|-----|-------------|------------|
| 4 | INFO | 16/07/2019 |
| 3 | INFO | 15/05/2019 |
| 2 | INFO | 13/05/2019 |
| 1 | INFO | 07/03/2019 |

| | | |
|---|---------------------------------|-----------------------|
| Date May 2018 | Project number NZSIP | Scale (@ A4) 1 : 5 |
| Drawn by Author Checked by Checker | DRAWING NUMBER SIP316 | REV 4 |



Cavity Batten Fixing

| Fixing type | Batten Spacing (mm) | Fixing spacing (mm) | Allowable Wind Zone (from NZS3603) |
|---|---------------------|---------------------|------------------------------------|
| 75mm x 3.25 annular grooved stainless nails | 600 | 150 | Extra High |
| 75mm x 3.25 annular grooved stainless nails | 600 | 200 | Very High |
| 75mm x 3.25 annular grooved stainless nails | 600 | 300 | Medium |
| 75mm x 3.25 annular grooved stainless nails | 450 | 200 | Extra High |
| 75mm x 3.25 annular grooved stainless nails | 450 | 300 | High |
| 75mm x 3.25 annular grooved stainless nails | 400 | 200 | Extra High |
| 75mm x 3.25 annular grooved stainless nails | 400 | 300 | Very High |

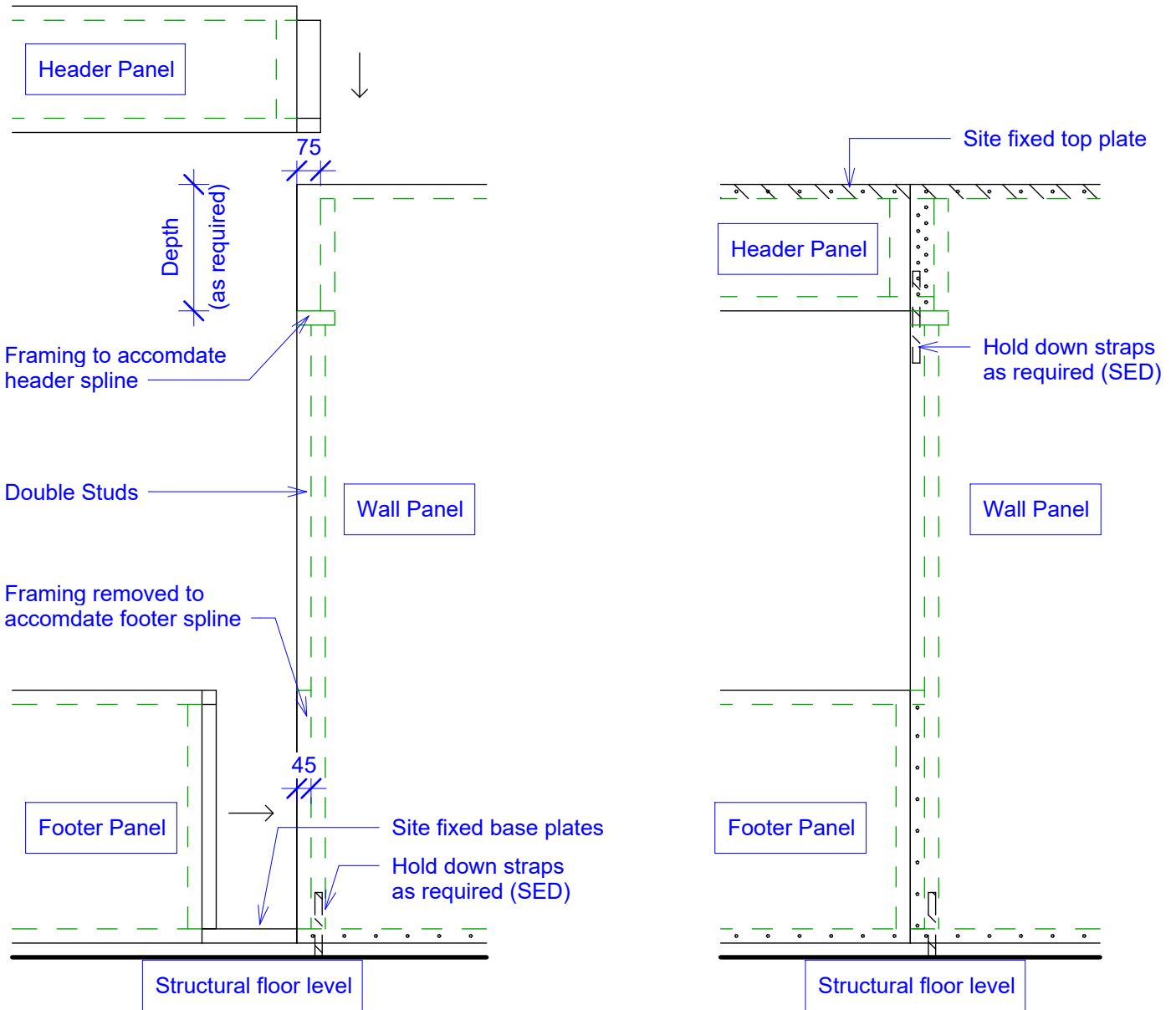
| | | | |
|---------------------------------------|-----|-----|-----------|
| 65mm x 2.8mm ring shank Paslode nails | 600 | 100 | Very High |
| 65mm x 2.8mm ring shank Paslode nails | 600 | 150 | High |
| 65mm x 2.8mm ring shank Paslode nails | 600 | 200 | Medium |
| 65mm x 2.8mm ring shank Paslode nails | 600 | 250 | Low |
| 65mm x 2.8mm ring shank Paslode nails | 450 | 150 | Very High |
| 65mm x 2.8mm ring shank Paslode nails | 450 | 200 | High |
| 65mm x 2.8mm ring shank Paslode nails | 450 | 300 | Low |
| 65mm x 2.8mm ring shank Paslode nails | 400 | 150 | Very High |
| 65mm x 2.8mm ring shank Paslode nails | 400 | 200 | High |
| 65mm x 2.8mm ring shank Paslode nails | 400 | 300 | Medium |

| | | | |
|---|-----|-----|------------|
| 8g x 65mm CSK square drive stainless steel screws | 600 | 150 | Extra High |
| 8g x 65mm CSK square drive stainless steel screws | 600 | 200 | Extra High |
| 8g x 65mm CSK square drive stainless steel screws | 600 | 300 | Extra High |
| 8g x 65mm CSK square drive stainless steel screws | 600 | 400 | Very High |
| 8g x 65mm CSK square drive stainless steel screws | 450 | 200 | Extra High |
| 8g x 65mm CSK square drive stainless steel screws | 450 | 300 | Extra High |
| 8g x 65mm CSK square drive stainless steel screws | 450 | 400 | Extra High |

All work to be in accordance with current NZ Standards unless otherwise noted. Drawings to be read in conjunction with specifications, engineers and other consultant drawings. Engineer's drawings take priority on all structural matters. Contractors shall verify all conditions and dimensions on site and notify New Zealand Structural Insulated Panels Limited (NZSIP) of any dimensional errors, omissions or discrepancies before beginning or fabricating any work. Any changes without the approval of NZSIP and/or the local building authority in writing shall void NZSIP of all contractual obligations.

| No. | Description | Date |
|-----|-------------|------------|
| 4 | INFO | 12/08/2019 |
| 3 | INFO | 29/07/2019 |
| 2 | INFO | 13/05/2019 |
| 1 | INFO | 21/05/2018 |

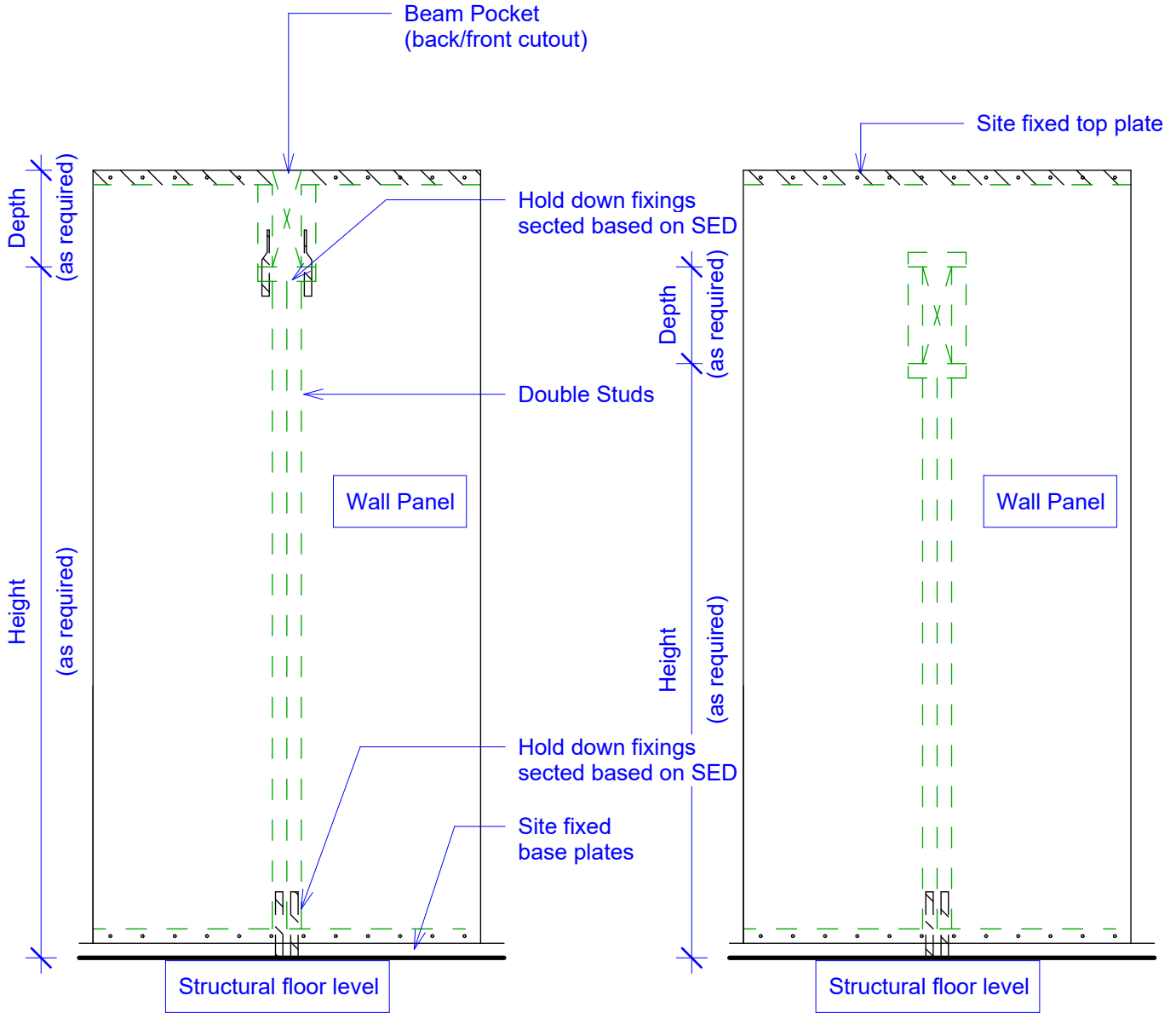
| | | | |
|---------------------------------------|---------------------------------|-----------------------|-----------------|
| PROJECT Standard Details | | | |
| SHEET Typical Cladding Fixings | | | |
| CLIENT NZSIP | | | |
| Date May 2018 | Project number NZSIP | Scale (@ A4) 1 : 5 | |
| Drawn by NZSIP | DRAWING NUMBER SIP320 | | REV 4 |
| Checked by NZSIP | | | |



All work to be in accordance with current NZ Standards unless otherwise noted. Drawings to be read in conjunction with specifications, engineers and other consultant drawings. Engineer's drawings take priority on all structural matters. Contractors shall verify all conditions and dimensions on site and notify New Zealand Structural Insulated Panels Limited (NZSIP) of any dimensional errors, omissions or discrepancies before beginning or fabricating any work. Any changes without the approval of NZSIP and/or the local building authority in writing shall void NZSIP of all contractual obligations.

| No. | Description | Date |
|-----|-------------|------------|
| 2 | INFO | 13/05/2019 |
| 1 | INFO | 21/05/2018 |
| | | |
| | | |

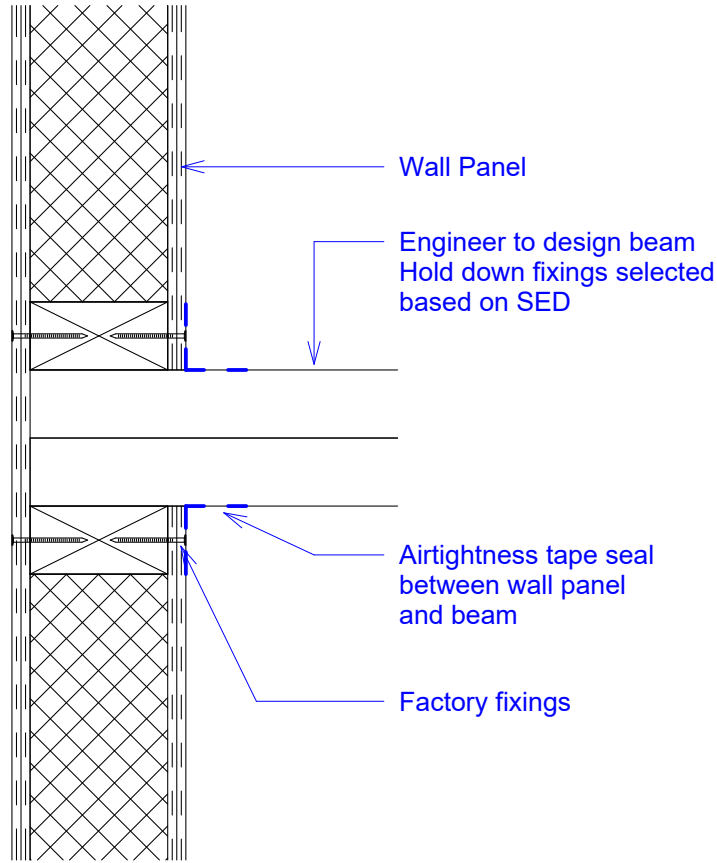
| | | | |
|---------------------------------|-------------------------|------------------------|----------|
| PROJECT Standard Details | | | |
| SHEET Rebate Elevation | | | |
| CLIENT NZSIP | | | |
| Date May 2018 | Project number NZSIP | Scale (@ A4) 1 : 20 | |
| Drawn by NZSIP | DRAWING NUMBER | | REV |
| Checked by NZSIP | SIP330 | | 2 |



All work to be in accordance with current NZ Standards unless otherwise noted. Drawings to be read in conjunction with specifications, engineers and other consultant drawings. Engineer's drawings take priority on all structural matters. Contractors shall verify all conditions and dimensions on site and notify New Zealand Structural Insulated Panels Limited (NZSIP) of any dimensional errors, omissions or discrepancies before beginning or fabricating any work. Any changes without the approval of NZSIP and/or the local building authority in writing shall void NZSIP of all contractual obligations.

| No. | Description | Date |
|-----|-------------|------------|
| 2 | INFO | 13/05/2019 |
| 1 | INFO | 21/05/2018 |
| | | |
| | | |

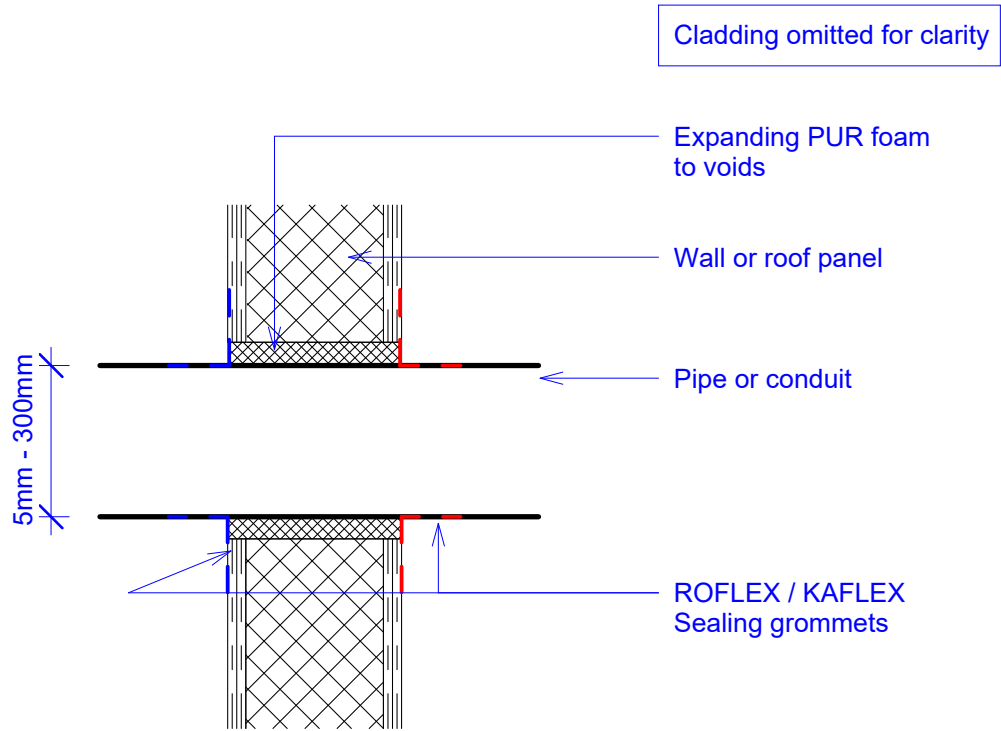
| | | | | | |
|------------|----------------|--------------|--|------------------|--|
| PROJECT | | | | Standard Details | |
| SHEET | | | | Beam Elevations | |
| CLIENT | | | | NZSIP | |
| Date | Project number | Scale (@ A4) | | | |
| May 2018 | NZSIP | 1 : 20 | | | |
| Drawn by | DRAWING NUMBER | | | REV | |
| NZSIP | SIP340 | | | 2 | |
| Checked by | | | | | |



All work to be in accordance with current NZ Standards unless otherwise noted. Drawings to be read in conjunction with specifications, engineers and other consultant drawings. Engineer's drawings take priority on all structural matters. Contractors shall verify all conditions and dimensions on site and notify New Zealand Structural Insulated Panels Limited (NZSIP) of any dimensional errors, omissions or discrepancies before beginning or fabricating any work. Any changes without the approval of NZSIP and/or the local building authority in writing shall void NZSIP of all contractual obligations.

| | | | | |
|------------|----------------|--------------|---------------------|-----|
| PROJECT | | | Standard Details | |
| SHEET | | | Beam Pocket fixings | |
| CLIENT | | | NZSIP | |
| Date | Project number | Scale (@ A4) | | |
| May 2018 | NZSIP | 1 : 5 | | |
| Drawn by | DRAWING NUMBER | | | REV |
| NZSIP | SIP341 | | | 4 |
| Checked by | | | | |

| No. | Description | Date |
|-----|-------------|------------|
| 4 | INFO | 29/07/2019 |
| 3 | INFO | 15/05/2019 |
| 2 | INFO | 13/05/2019 |
| 1 | INFO | 21/05/2018 |

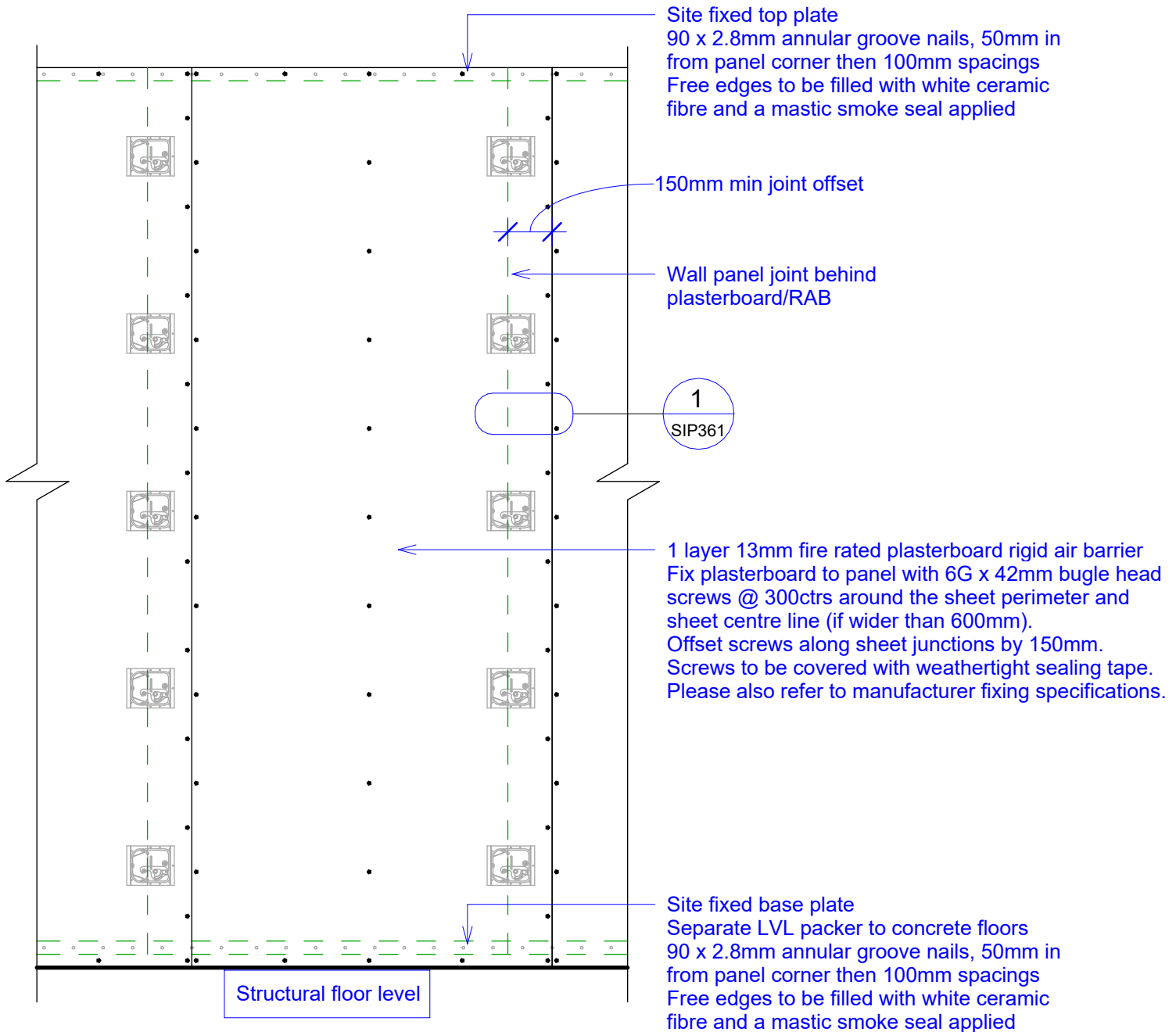


All work to be in accordance with current NZ Standards unless otherwise noted. Drawings to be read in conjunction with specifications, engineers and other consultant drawings. Engineer's drawings take priority on all structural matters. Contractors shall verify all conditions and dimensions on site and notify New Zealand Structural Insulated Panels Limited (NZSIP) of any dimensional errors, omissions or discrepancies before beginning or fabricating any work. Any changes without the approval of NZSIP and/or the local building authority in writing shall void NZSIP of all contractual obligations.

| | | | | | |
|------------|----------------|--------------|--|------------------|--|
| PROJECT | | | | Standard Details | |
| SHEET | | | | Wall penetration | |
| CLIENT | | | | NZSIP | |
| Date | Project number | Scale (@ A4) | | | |
| May 2018 | NZSIP | 1 : 5 | | | |
| Drawn by | DRAWING NUMBER | | | REV | |
| Author | SIP350 | | | 2 | |
| Checked by | | | | | |
| Checker | | | | | |

| No. | Description | Date |
|-----|-------------|------------|
| 2 | INFO | 13/05/2019 |
| 1 | INFO | 26/10/2018 |
| | | |
| | | |

Exterior view

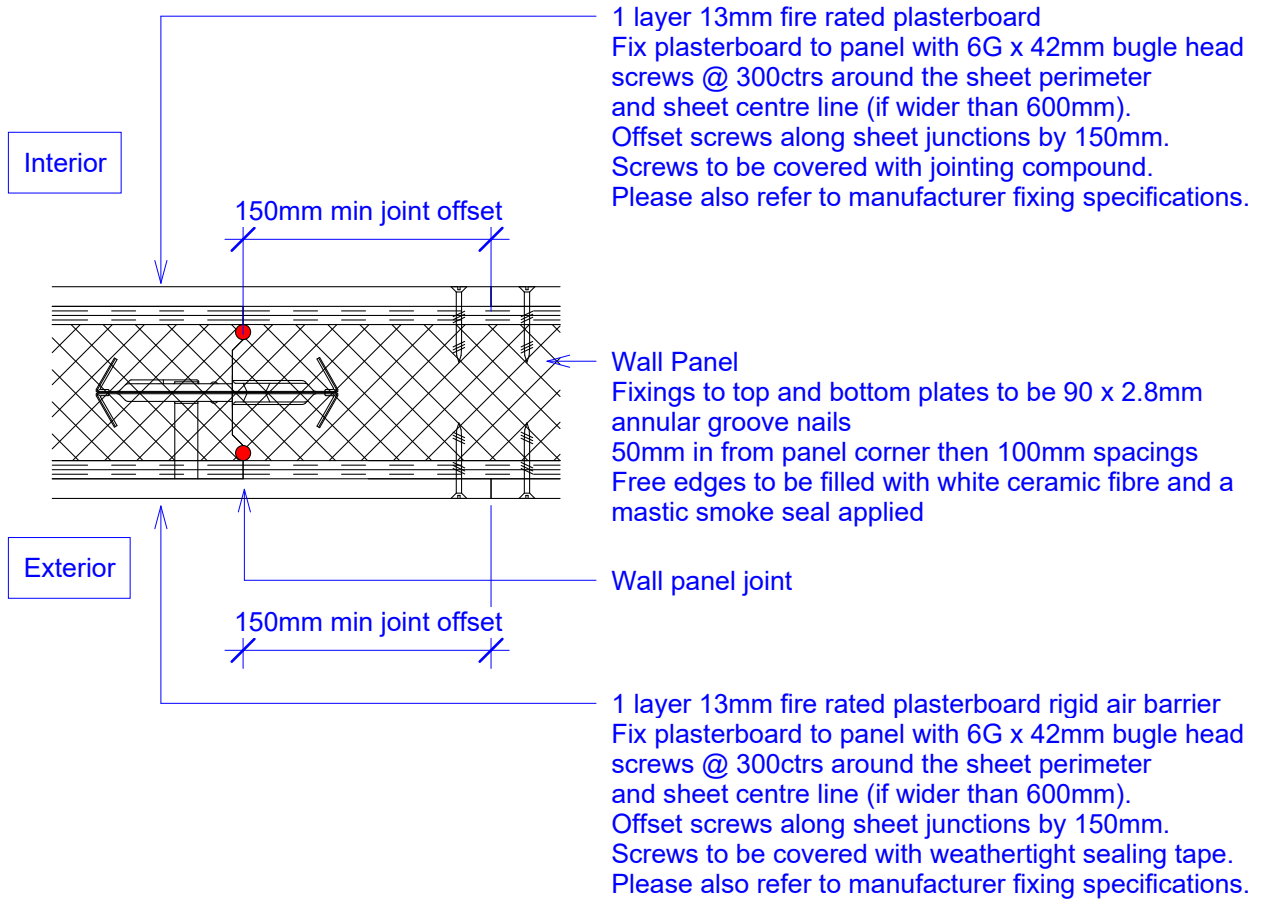


Fire resistance level (FRL): 30/30/30

All work to be in accordance with current NZ Standards unless otherwise noted. Drawings to be read in conjunction with specifications, engineers and other consultant drawings. Engineer's drawings take priority on all structural matters. Contractors shall verify all conditions and dimensions on site and notify New Zealand Structural Insulated Panels Limited (NZSIP) of any dimensional errors, omissions or discrepancies before beginning or fabricating any work. Any changes without the approval of NZSIP and/or the local building authority in writing shall void NZSIP of all contractual obligations.

| No. | Description | Date |
|-----|-------------|------------|
| 3 | INFO | 07/07/2021 |
| 2 | INFO | 15/06/2021 |
| 1 | DRAFT | 03/06/2021 |

| | | | |
|--|-------------------------|------------------------|----------|
| PROJECT Standard Details | | | |
| SHEET Fire rated wall - elevation | | | |
| CLIENT NZSIP | | | |
| Date May 2018 | Project number NZSIP | Scale (@ A4) 1 : 20 | |
| Drawn by | DRAWING NUMBER | | REV |
| Author | SIP360 | | 3 |
| Checked by | | | |
| Checker | | | |



Fire resistance level (FRL): 30/30/30

All work to be in accordance with current NZ Standards unless otherwise noted. Drawings to be read in conjunction with specifications, engineers and other consultant drawings. Engineer's drawings take priority on all structural matters. Contractors shall verify all conditions and dimensions on site and notify New Zealand Structural Insulated Panels Limited (NZSIP) of any dimensional errors, omissions or discrepancies before beginning or fabricating any work. Any changes without the approval of NZSIP and/or the local building authority in writing shall void NZSIP of all contractual obligations.

| No. | Description | Date |
|-----|-------------|------------|
| 4 | INFO | 07/07/2021 |
| 3 | INFO | 15/06/2021 |
| 2 | DRAFT | 03/06/2021 |
| 1 | INFO | 15/02/2021 |

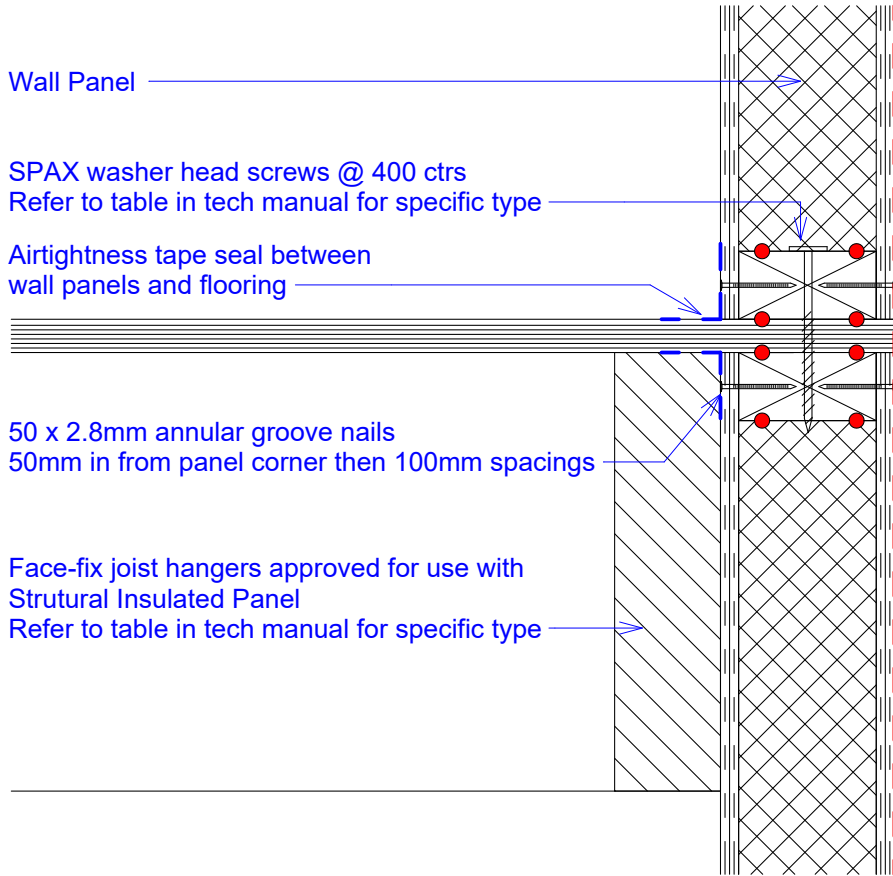
| | | | |
|--|-------------------------|-----------------------|----------|
| PROJECT Standard Details | | | |
| SHEET Fire rated wall - plan detail | | | |
| CLIENT NZSIP | | | |
| Date May 2018 | Project number NZSIP | Scale (@ A4) 1 : 5 | |
| Drawn by | DRAWING NUMBER | | REV |
| Author | SIP361 | | 4 |
| Checked by Checker | | | |

| Sheet Number | Sheet Name |
|--------------|-----------------------------|
| SIP401 | Mid Floor |
| SIP402 | Hold down Strap - Mid Floor |

All work to be in accordance with current NZ Standards unless otherwise noted. Drawings to be read in conjunction with specifications, engineers and other consultant drawings. Engineer's drawings take priority on all structural matters. Contractors shall verify all conditions and dimensions on site and notify New Zealand Structural Insulated Panels Limited (NZSIP) of any dimensional errors, omissions or discrepancies before beginning or fabricating any work. Any changes without the approval of NZSIP and/or the local building authority in writing shall void NZSIP of all contractual obligations.

| No. | Description | Date |
|-----|-------------|------------|
| 2 | INFO | 13/05/2019 |
| 1 | INFO | 21/05/2018 |
| | | |
| | | |

| | | | | |
|------------|----------------|--------------|----------------------------|--|
| PROJECT | | | Standard Details | |
| SHEET | | | Drawing Index - 400 | |
| CLIENT | | | NZSIP | |
| Date | Project number | Scale (@ A4) | | |
| May 2018 | NZSIP | | | |
| Drawn by | DRAWING NUMBER | REV | | |
| Author | SIP400 | 2 | | |
| Checked by | | | | |
| Checker | | | | |

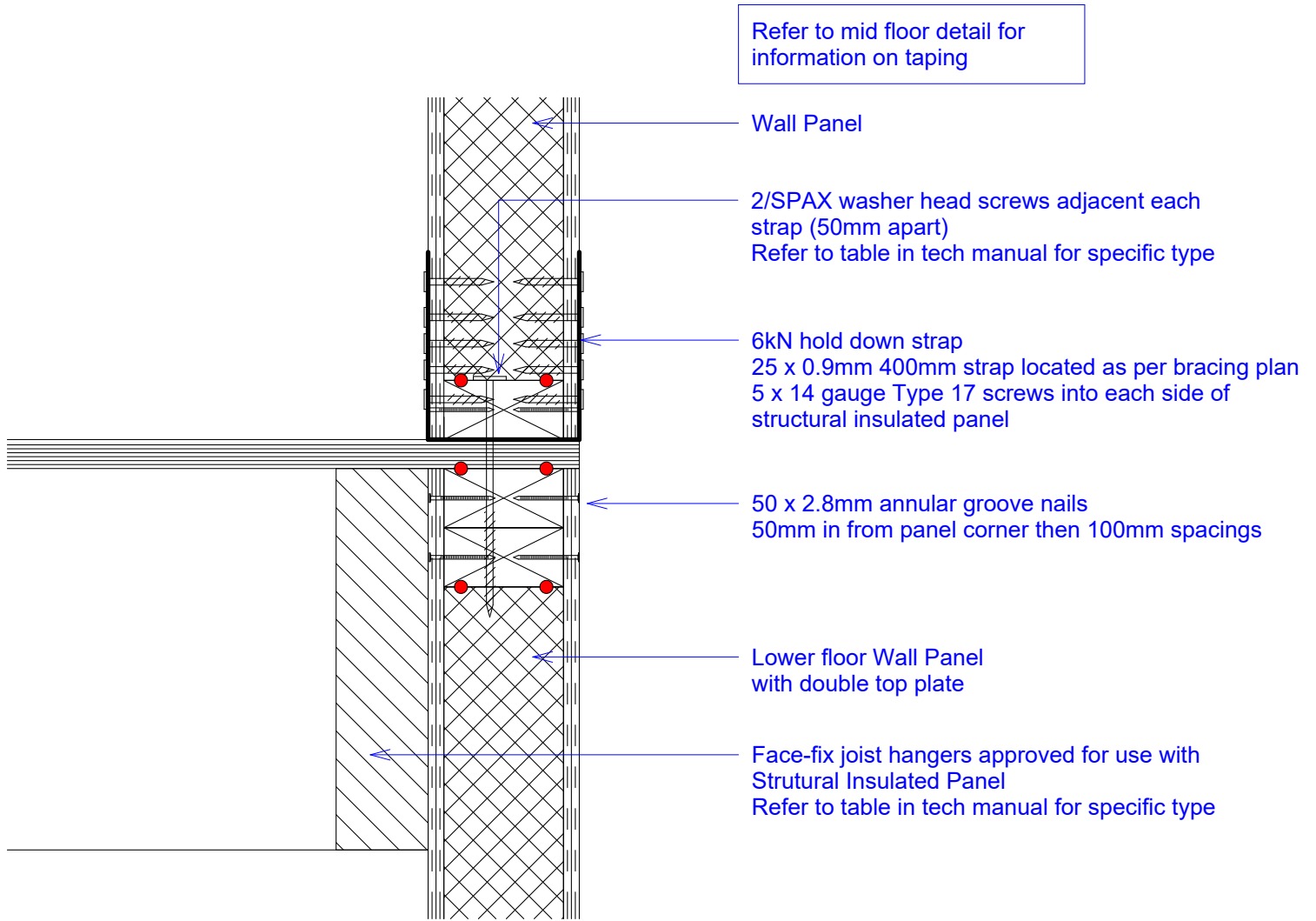


| Characteristic Load – Screws | | | |
|------------------------------|------------------------------|------|--------|
| Joist Hanger Type | Number of screws per flange* | Down | Uplift |
| JH 47 x 90 | 1 | 3kN | 3kN |
| JH 47 x 120 | 2 | 6kN | 6kN |
| JH 47 x 190 | 3 | 9kN | 9kN |
| JH 95 x 165 | 3 | 9kN | 9kN |
| JH 90 x 180 | 3 | 9kN | 9kN |

*Fix with Type 17-12g x 35mm Hex head screws

| | | | | | |
|--|----------------|--|---------------------------------|-------------------------|-----------------------|
| All work to be in accordance with current NZ Standards unless otherwise noted. Drawings to be read in conjunction with specifications, engineers and other consultant drawings. Engineer's drawings take priority on all structural matters. Contractors shall verify all conditions and dimensions on site and notify New Zealand Structural Insulated Panels Limited (NZSIP) of any dimensional errors, omissions or discrepancies before beginning or fabricating any work. Any changes without the approval of NZSIP and/or the local building authority in writing shall void NZSIP of all contractual obligations. | | | PROJECT Standard Details | | |
| | | | SHEET Mid Floor | | |
| | | | CLIENT NZSIP | | |
| | | | Date May 2018 | Project number NZSIP | Scale (@ A4) 1 : 5 |
| Drawn by NZSIP | DRAWING NUMBER | | REV | | |
| Checked by NZSIP | SIP401 | | 6 | | |

| No. | Description | Date |
|-----|-------------|------------|
| 6 | INFO | 07/07/2021 |
| 5 | INFO | 12/08/2019 |
| 4 | INFO | 29/07/2019 |
| 3 | INFO | 16/07/2019 |



| Characteristic Load – Screws | | | |
|------------------------------|------------------------------|------|--------|
| Joist Hanger Type | Number of screws per flange* | Down | Uplift |
| JH 47 x 90 | 1 | 3kN | 3kN |
| JH 47 x 120 | 2 | 6kN | 6kN |
| JH 47 x 190 | 3 | 9kN | 9kN |
| JH 95 x 165 | 3 | 9kN | 9kN |
| JH 90 x 180 | 3 | 9kN | 9kN |

*Fix with Type 17-12g x 35mm Hex head screws

All work to be in accordance with current NZ Standards unless otherwise noted. Drawings to be read in conjunction with specifications, engineers and other consultant drawings. Engineer's drawings take priority on all structural matters. Contractors shall verify all conditions and dimensions on site and notify New Zealand Structural Insulated Panels Limited (NZSIP) of any dimensional errors, omissions or discrepancies before beginning or fabricating any work. Any changes without the approval of NZSIP and/or the local building authority in writing shall void NZSIP of all contractual obligations.

| No. | Description | Date |
|-----|-------------|------------|
| 7 | INFO | 07/07/2021 |
| 6 | INFO | 12/08/2019 |
| 5 | INFO | 29/07/2019 |
| 4 | INFO | 16/07/2019 |

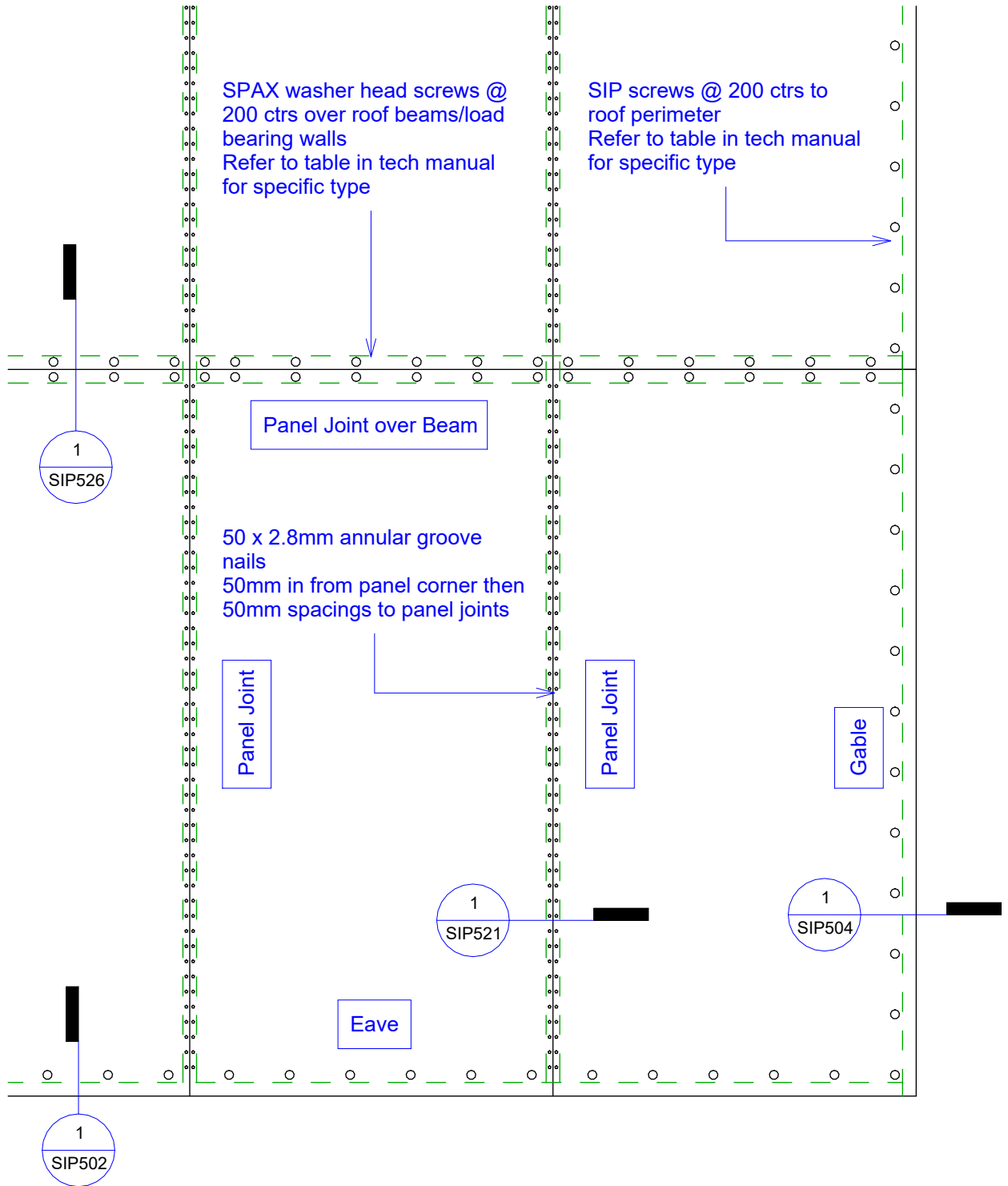
| | | |
|--|---------------------------------|-----------------------|
| PROJECT Standard Details | | |
| SHEET Hold down Strap - Mid Floor | | |
| CLIENT NZSIP | | |
| Date May 2018 | Project number NZSIP | Scale (@ A4) 1 : 5 |
| Drawn by NZSIP | DRAWING NUMBER SIP402 | REV 7 |
| Checked by NZSIP | | |

| Sheet Number | Sheet Name |
|--------------|-----------------------------------|
| SIP501 | Roof Plan |
| SIP502 | Roof/Wall - Eave |
| SIP504 | Roof/Wall - Gable |
| SIP506 | Roof/Wall - Eave Truss Roof |
| SIP510 | Roof/Wall - Ridge |
| SIP511 | Ridge beam |
| SIP521 | Roof Junction |
| SIP525 | Roof Junction - Beam square |
| SIP526 | Roof Junction - Beam angled |
| SIP550 | Roof Plan - Counter batten roof |
| SIP551 | Roof Panel - Counterbatten fixing |
| SIP555 | Roof/Wall - counter batten Eave |

All work to be in accordance with current NZ Standards unless otherwise noted. Drawings to be read in conjunction with specifications, engineers and other consultant drawings. Engineer's drawings take priority on all structural matters. Contractors shall verify all conditions and dimensions on site and notify New Zealand Structural Insulated Panels Limited (NZSIP) of any dimensional errors, omissions or discrepancies before beginning or fabricating any work. Any changes without the approval of NZSIP and/or the local building authority in writing shall void NZSIP of all contractual obligations.

| No. | Description | Date |
|-----|-------------|------------|
| 3 | INFO | 16/07/2019 |
| 2 | INFO | 13/05/2019 |
| 1 | INFO | 21/05/2018 |
| | | |

| | | | |
|----------------------------------|-------------------------|--------------|----------|
| PROJECT Standard Details | | | |
| SHEET Drawing Index - 500 | | | |
| CLIENT NZSIP | | | |
| Date May 2018 | Project number NZSIP | Scale (@ A4) | |
| Drawn by | DRAWING NUMBER | | REV |
| Author | SIP500 | | 3 |
| Checked by | | | |
| Checker | | | |



All work to be in accordance with current NZ Standards unless otherwise noted. Drawings to be read in conjunction with specifications, engineers and other consultant drawings. Engineer's drawings take priority on all structural matters. Contractors shall verify all conditions and dimensions on site and notify New Zealand Structural Insulated Panels Limited (NZSIP) of any dimensional errors, omissions or discrepancies before beginning or fabricating any work. Any changes without the approval of NZSIP and/or the local building authority in writing shall void NZSIP of all contractual obligations.

PROJECT **Standard Details**

SHEET **Roof Plan**

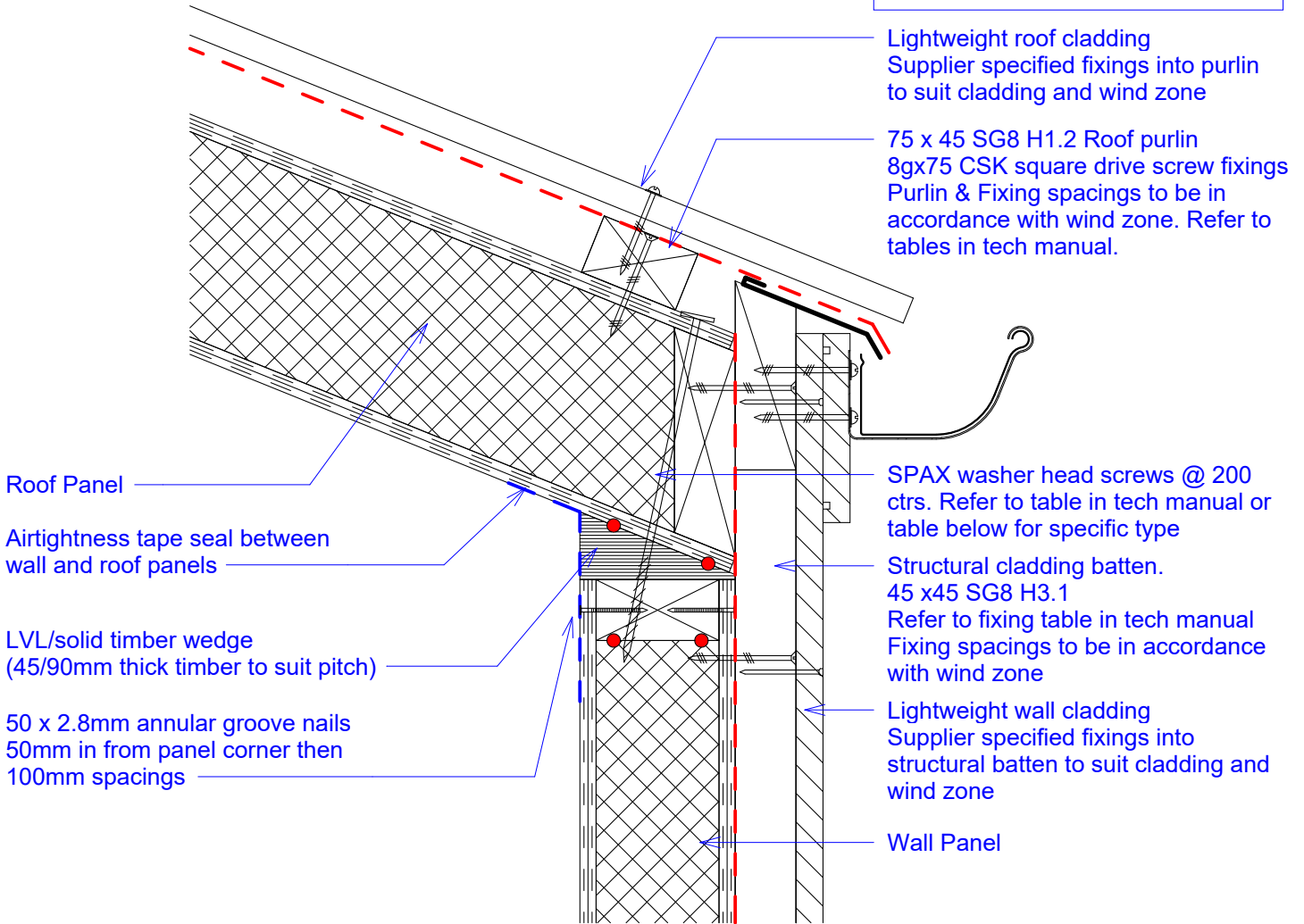
CLIENT **NZSIP**

| | | |
|---------------------|-------------------------|------------------------|
| Date May 2018 | Project number NZSIP | Scale (@ A4) 1 : 20 |
| Drawn by NZSIP | DRAWING NUMBER | |
| Checked by NZSIP | SIP501 | REV 4 |

| No. | Description | Date |
|-----|-------------|------------|
| 4 | INFO | 07/07/2021 |
| 3 | INFO | 16/07/2019 |
| 2 | INFO | 13/05/2019 |
| 1 | INFO | 21/05/2018 |

If roof overhangs are required, these should be formed using purlins and/or outriggers as per NZS3604 10.2.1.15 or SED

Flexible roof & wall underlay must comply with NZBC acceptable solution E2/AS1 table 23 or a breather type membrane covered by a valid BRANZ appraisal for use as a roof & wall underlay.



SPAX washer head screws fixing schedule

Washer Head type screws for fixing roof panels, wall panels and beams together are selected from the following.

115 mm thick panel 160 mm x 8 mm
(corner, internal wall or gable connection)

165 mm thick panel 220 mm x 8 mm
(corner, internal wall, gable or roof beam connection)

165 mm thick Roof at maximum 30° Roof pitch 280 mm x 10 mm (eave or roof beam connection)

215 mm thick Roof at maximum 30° Roof pitch 320 mm x 10 mm (eave or roof beam connection)

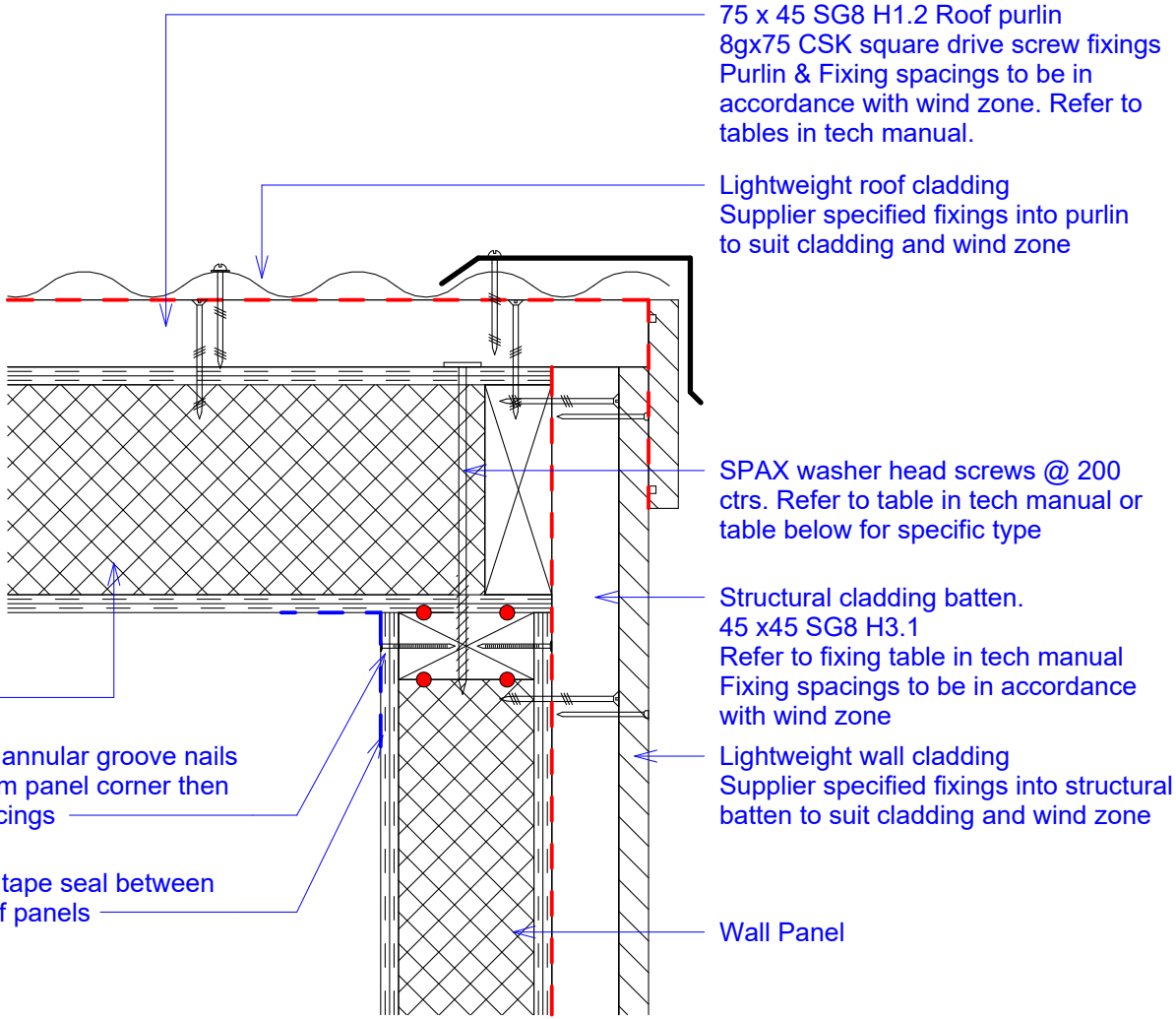
All work to be in accordance with current NZ Standards unless otherwise noted. Drawings to be read in conjunction with specifications, engineers and other consultant drawings. Engineer's drawings take priority on all structural matters. Contractors shall verify all conditions and dimensions on site and notify New Zealand Structural Insulated Panels Limited (NZSIP) of any dimensional errors, omissions or discrepancies before beginning or fabricating any work. Any changes without the approval of NZSIP and/or the local building authority in writing shall void NZSIP of all contractual obligations.

| | | | |
|---------------------------------|----------------|--------------|----------|
| PROJECT Standard Details | | | |
| SHEET Roof/Wall - Eave | | | |
| CLIENT NZSIP | | | |
| Date | Project number | Scale (@ A4) | |
| May 2018 | NZSIP | As indicated | |
| Drawn by | DRAWING NUMBER | | REV |
| NZSIP | SIP502 | | 6 |
| Checked by | | | |
| NZSIP | | | |

| No. | Description | Date |
|-----|-------------|------------|
| 6 | INFO | 07/07/2021 |
| 5 | INFO | 12/08/2019 |
| 4 | INFO | 29/07/2019 |
| 3 | INFO | 16/07/2019 |

If roof overhangs are required, these should be formed using purlins and/or outriggers as per NZS3604 10.2.1.15 or SED

Flexible roof & wall underlay must comply with NZBC acceptable solution E2/AS1 table 23 or a breather type membrane covered by a valid BRANZ appraisal for use as a roof & wall underlay.

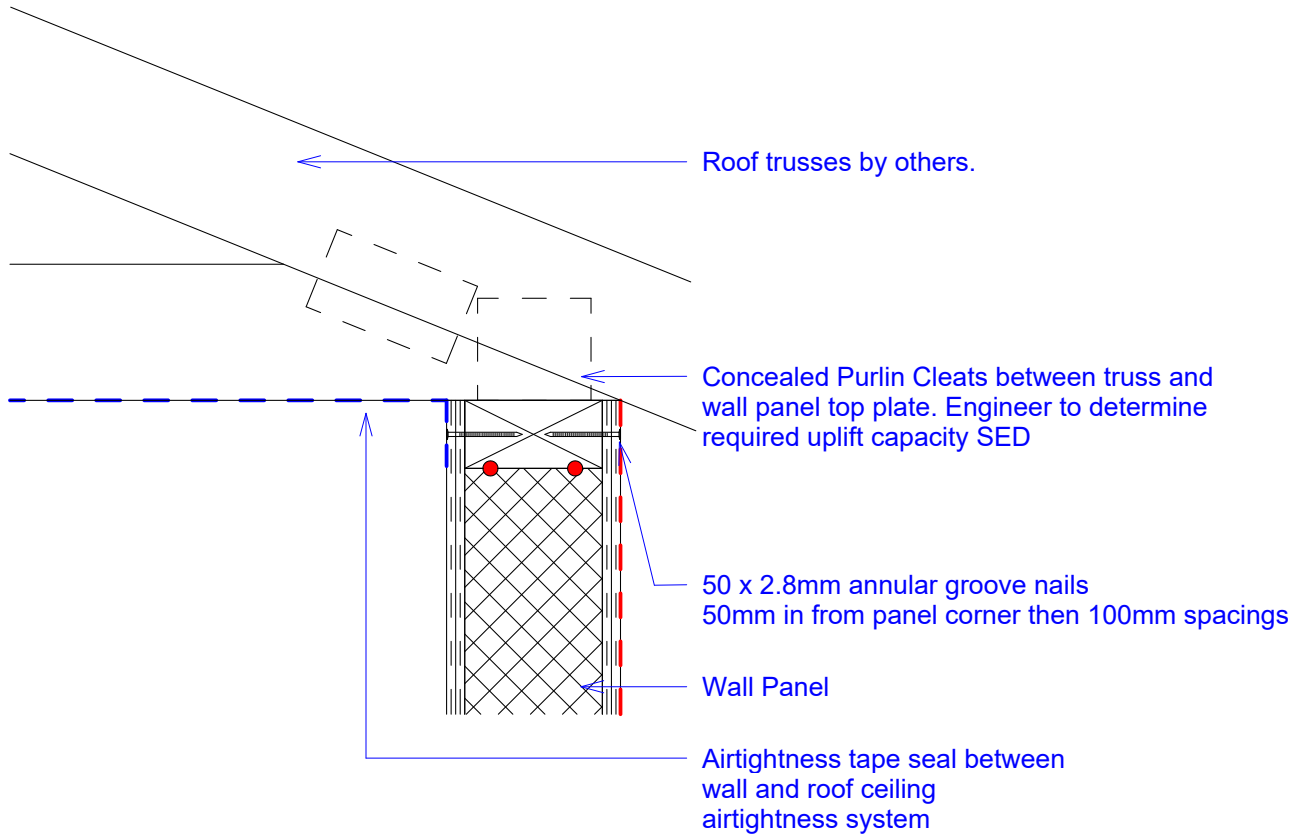


SPAX washer head screws fixing schedule

Washer Head type screws for fixing roof panels, wall panels and beams together are selected from the following.

| | |
|--|---|
| 115 mm thick panel 160 mm x 8 mm (corner, internal wall or gable connection) | 165 mm thick Roof at maximum 30° Roof pitch 280 mm x 10 mm (eave or roof beam connection) |
| 165 mm thick panel 220 mm x 8 mm (corner, internal wall, gable or roof beam connection) | 215 mm thick Roof at maximum 30° Roof pitch 320 mm x 10 mm (eave or roof beam connection) |

| | | | | |
|---|-------------|---------------------------------|-------------------------|------------------------------|
| <p>All work to be in accordance with current NZ Standards unless otherwise noted. Drawings to be read in conjunction with specifications, engineers and other consultant drawings. Engineer's drawings take priority on all structural matters. Contractors shall verify all conditions and dimensions on site and notify New Zealand Structural Insulated Panels Limited (NZSIP) of any dimensional errors, omissions or discrepancies before beginning or fabricating any work. Any changes without the approval of NZSIP and/or the local building authority in writing shall void NZSIP of all contractual obligations.</p> | | PROJECT Standard Details | | |
| | | SHEET Roof/Wall - Gable | | |
| | | CLIENT NZSIP | | |
| | | Date May 2018 | Project number NZSIP | Scale (@ A4) As indicated |
| No. | Description | Date | DRAWING NUMBER | REV |
| 6 | INFO | 07/07/2021 | SIP504 | 6 |
| 5 | INFO | 12/08/2019 | | |
| 4 | INFO | 29/07/2019 | | |
| 3 | INFO | 16/07/2019 | | |
| | | | Checked by NZSIP | |



All work to be in accordance with current NZ Standards unless otherwise noted. Drawings to be read in conjunction with specifications, engineers and other consultant drawings. Engineer's drawings take priority on all structural matters. Contractors shall verify all conditions and dimensions on site and notify New Zealand Structural Insulated Panels Limited (NZSIP) of any dimensional errors, omissions or discrepancies before beginning or fabricating any work. Any changes without the approval of NZSIP and/or the local building authority in writing shall void NZSIP of all contractual obligations.

| | | | |
|--|-------------------------|-----------------------|----------|
| PROJECT Standard Details | | | |
| SHEET Roof/Wall - Eave Truss Roof | | | |
| CLIENT NZSIP | | | |
| Date May 2018 | Project number NZSIP | Scale (@ A4) 1 : 5 | |
| Drawn by NZSIP | DRAWING NUMBER | | REV |
| Checked by NZSIP | SIP506 | | 3 |

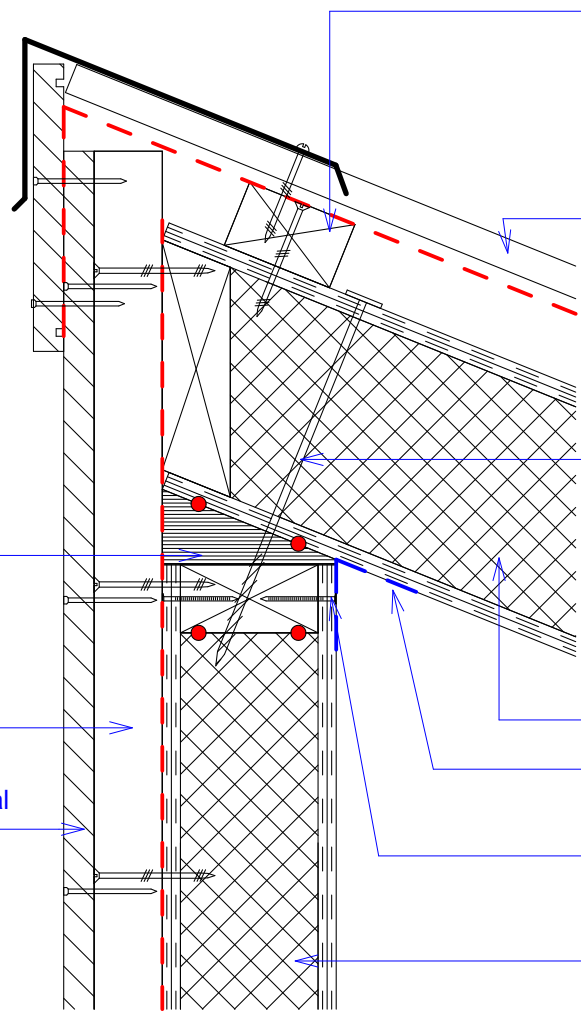
| No. | Description | Date |
|-----|-------------|------------|
| 3 | INFO | 07/07/2021 |
| 2 | INFO | 13/05/2019 |
| 1 | INFO | 21/05/2018 |
| | | |

Flexible roof & wall underlay must comply with NZBC acceptable solution E2/AS1 table 23 or a breather type membrane covered by a valid BRANZ appraisal for use as a roof & wall underlay.

LVL/solid timber wedge (45/90mm thick timber to suit pitch)

Structural cladding batten. 45 x45 SG8 H3.1 Refer to fixing table in tech manual Fixing spacings to be in accordance with wind zone

Lightweight wall cladding Supplier specified fixings into structural batten to suit cladding and wind zone



75 x 45 SG8 H1.2 Roof purlin
8x75 CSK square drive screw fixings
Purlin & Fixing spacings to be in accordance with wind zone. Refer to tables in tech manual.

Lightweight roof cladding
Supplier specified fixings into purlin to suit cladding and wind zone

SPAX washer head screws @ 200 ctrs. Refer to table in tech manual or table below for specific type

Roof Panel

Airtightness tape seal between wall and roof panels

50 x 2.8mm annular groove nails 50mm in from panel corner then 100mm spacings

Wall Panel

SPAX washer head screws fixing schedule

Washer Head type screws for fixing roof panels, wall panels and beams together are selected from the following.

115 mm thick panel 160 mm x 8 mm (corner, internal wall or gable connection)

165 mm thick panel 220 mm x 8 mm (corner, internal wall, gable or roof beam connection)

165 mm thick Roof at maximum 30° Roof pitch 280 mm x 10 mm (eave or roof beam connection)

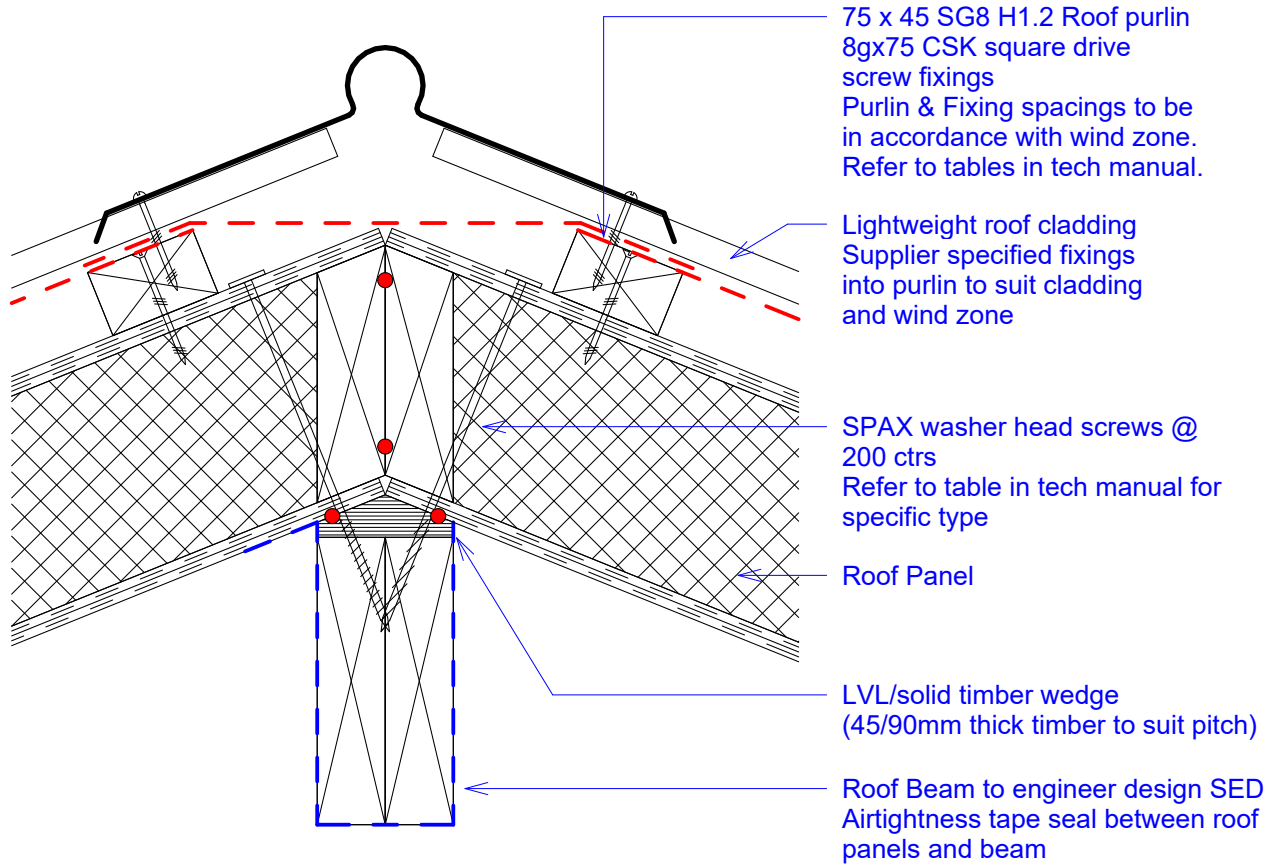
215 mm thick Roof at maximum 30° Roof pitch 320 mm x 10 mm (eave or roof beam connection)

All work to be in accordance with current NZ Standards unless otherwise noted. Drawings to be read in conjunction with specifications, engineers and other consultant drawings. Engineer's drawings take priority on all structural matters. Contractors shall verify all conditions and dimensions on site and notify New Zealand Structural Insulated Panels Limited (NZSIP) of any dimensional errors, omissions or discrepancies before beginning or fabricating any work. Any changes without the approval of NZSIP and/or the local building authority in writing shall void NZSIP of all contractual obligations.

| No. | Description | Date |
|-----|-------------|------------|
| 5 | INFO | 07/07/2021 |
| 4 | INFO | 12/08/2019 |
| 3 | INFO | 29/07/2019 |
| 2 | INFO | 13/05/2019 |

| | | |
|---------------------------------|-------------------------|------------------------------|
| PROJECT Standard Details | | |
| SHEET Roof/Wall - Ridge | | |
| CLIENT NZSIP | | |
| Date May 2018 | Project number NZSIP | Scale (@ A4) As indicated |
| Drawn by NZSIP | DRAWING NUMBER | |
| Checked by NZSIP | SIP510 | REV 5 |

Flexible roof & wall underlay must comply with NZBC acceptable solution E2/AS1 table 23 or a breather type membrane covered by a valid BRANZ appraisal for use as a roof & wall underlay.



SPAX washer head screws fixing schedule

Washer Head type screws for fixing roof panels, wall panels and beams together are selected from the following.

115 mm thick panel 160 mm x 8 mm
(corner, internal wall or gable connection)

165 mm thick panel 220 mm x 8 mm
(corner, internal wall, gable or roof beam connection)

165 mm thick Roof at maximum 30° Roof pitch 280 mm x 10 mm (eave or roof beam connection)

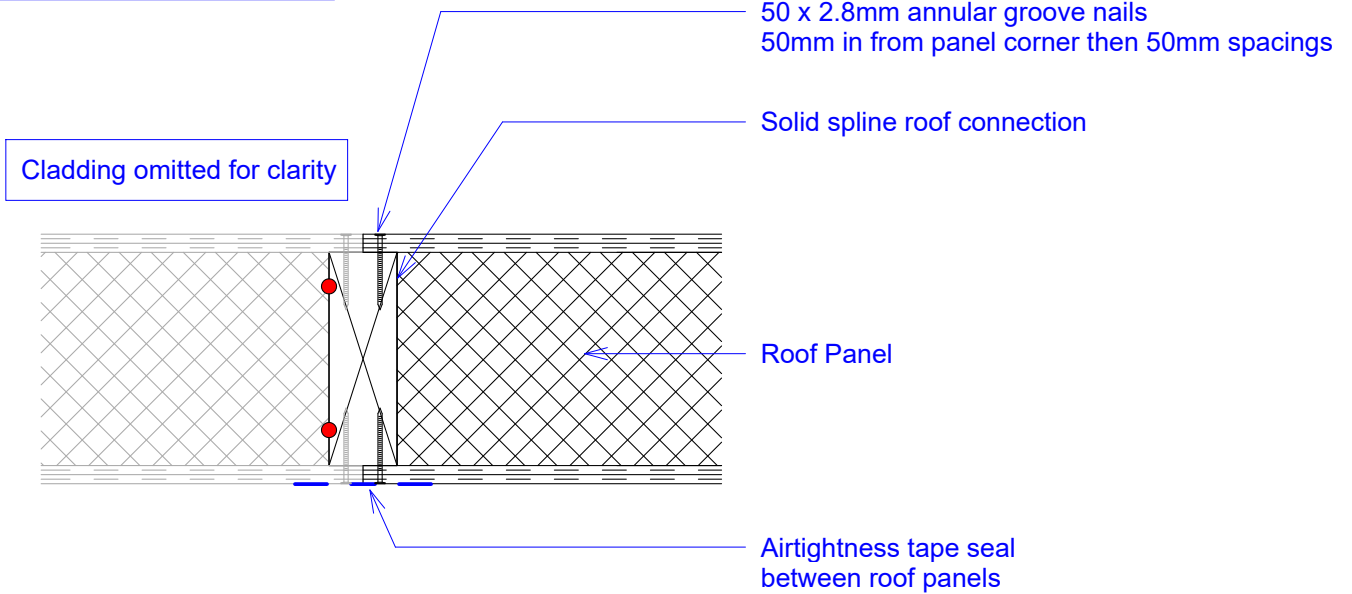
215 mm thick Roof at maximum 30° Roof pitch 320 mm x 10 mm (eave or roof beam connection)

All work to be in accordance with current NZ Standards unless otherwise noted. Drawings to be read in conjunction with specifications, engineers and other consultant drawings. Engineer's drawings take priority on all structural matters. Contractors shall verify all conditions and dimensions on site and notify New Zealand Structural Insulated Panels Limited (NZSIP) of any dimensional errors, omissions or discrepancies before beginning or fabricating any work. Any changes without the approval of NZSIP and/or the local building authority in writing shall void NZSIP of all contractual obligations.

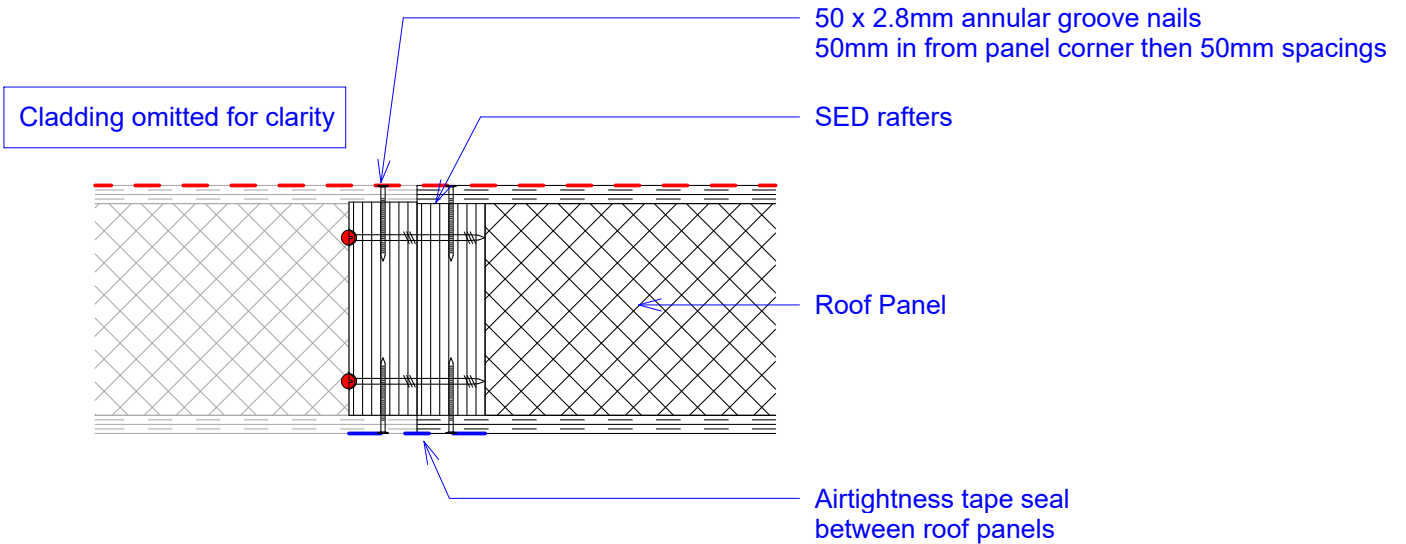
| No. | Description | Date |
|-----|-------------|------------|
| 4 | INFO | 12/08/2019 |
| 3 | INFO | 29/07/2019 |
| 2 | INFO | 13/05/2019 |
| 1 | INFO | 21/05/2018 |

| | | |
|---------------------------------|-------------------------|------------------------------|
| PROJECT Standard Details | | |
| SHEET Ridge beam | | |
| CLIENT NZSIP | | |
| Date May 2018 | Project number NZSIP | Scale (@ A4) As indicated |
| Drawn by NZSIP | DRAWING NUMBER | |
| Checked by NZSIP | SIP511 | |
| | | REV 4 |

THIS IS THE STANDARD METHOD OF CONNECTING ROOF PANELS USING SPAN TABLES



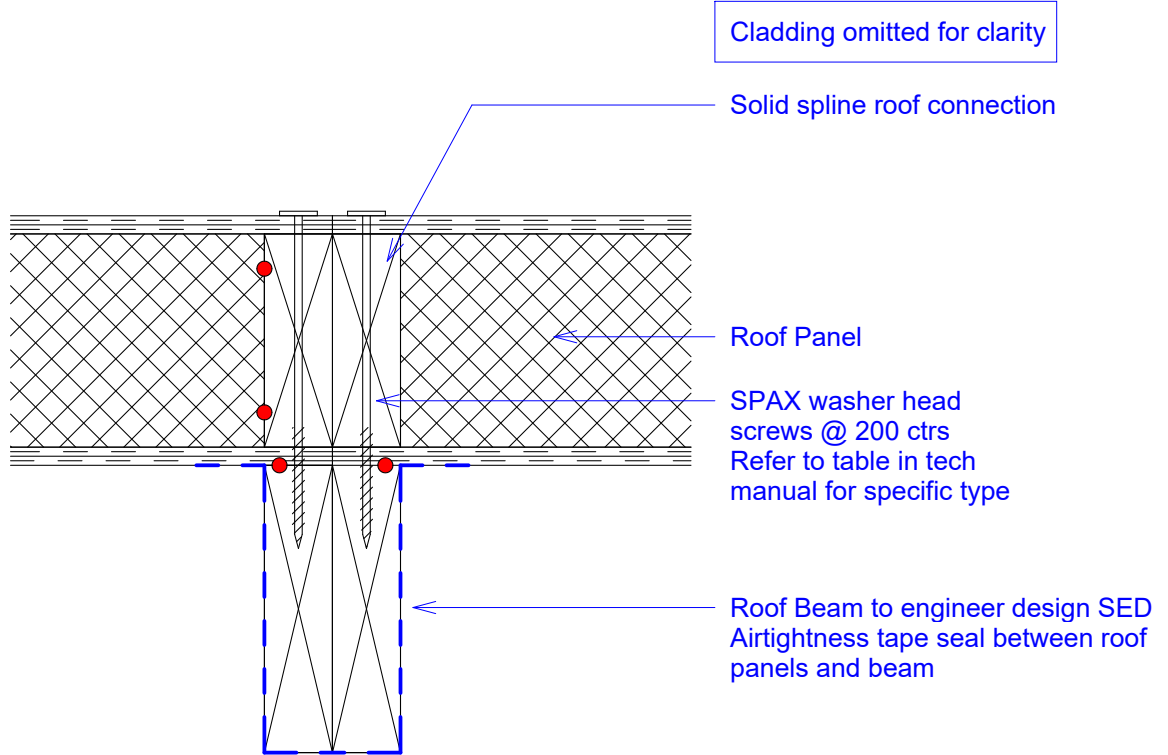
ALTERNATIVE METHOD OF CONNECTING ROOF PANELS WITH SED SPANS



All work to be in accordance with current NZ Standards unless otherwise noted. Drawings to be read in conjunction with specifications, engineers and other consultant drawings. Engineer's drawings take priority on all structural matters. Contractors shall verify all conditions and dimensions on site and notify New Zealand Structural Insulated Panels Limited (NZSIP) of any dimensional errors, omissions or discrepancies before beginning or fabricating any work. Any changes without the approval of NZSIP and/or the local building authority in writing shall void NZSIP of all contractual obligations.

| No. | Description | Date |
|-----|-------------|------------|
| 4 | INFO | 07/07/2021 |
| 3 | INFO | 16/07/2019 |
| 2 | INFO | 13/05/2019 |
| 1 | INFO | 21/05/2018 |

| | | | |
|---------------------------------|-------------------------|-----------------------|----------|
| PROJECT Standard Details | | | |
| SHEET Roof Junction | | | |
| CLIENT NZSIP | | | |
| Date May 2018 | Project number NZSIP | Scale (@ A4) 1 : 5 | |
| Drawn by NZSIP | DRAWING NUMBER | | REV |
| Checked by NZSIP | SIP521 | | 4 |



SPAX washer head screws fixing schedule

Washer Head type screws for fixing roof panels, wall panels and beams together are selected from the following.

115 mm thick panel 160 mm x 8 mm
(corner, internal wall or gable connection)

165 mm thick panel 220 mm x 8 mm
(corner, internal wall, gable or roof beam connection)

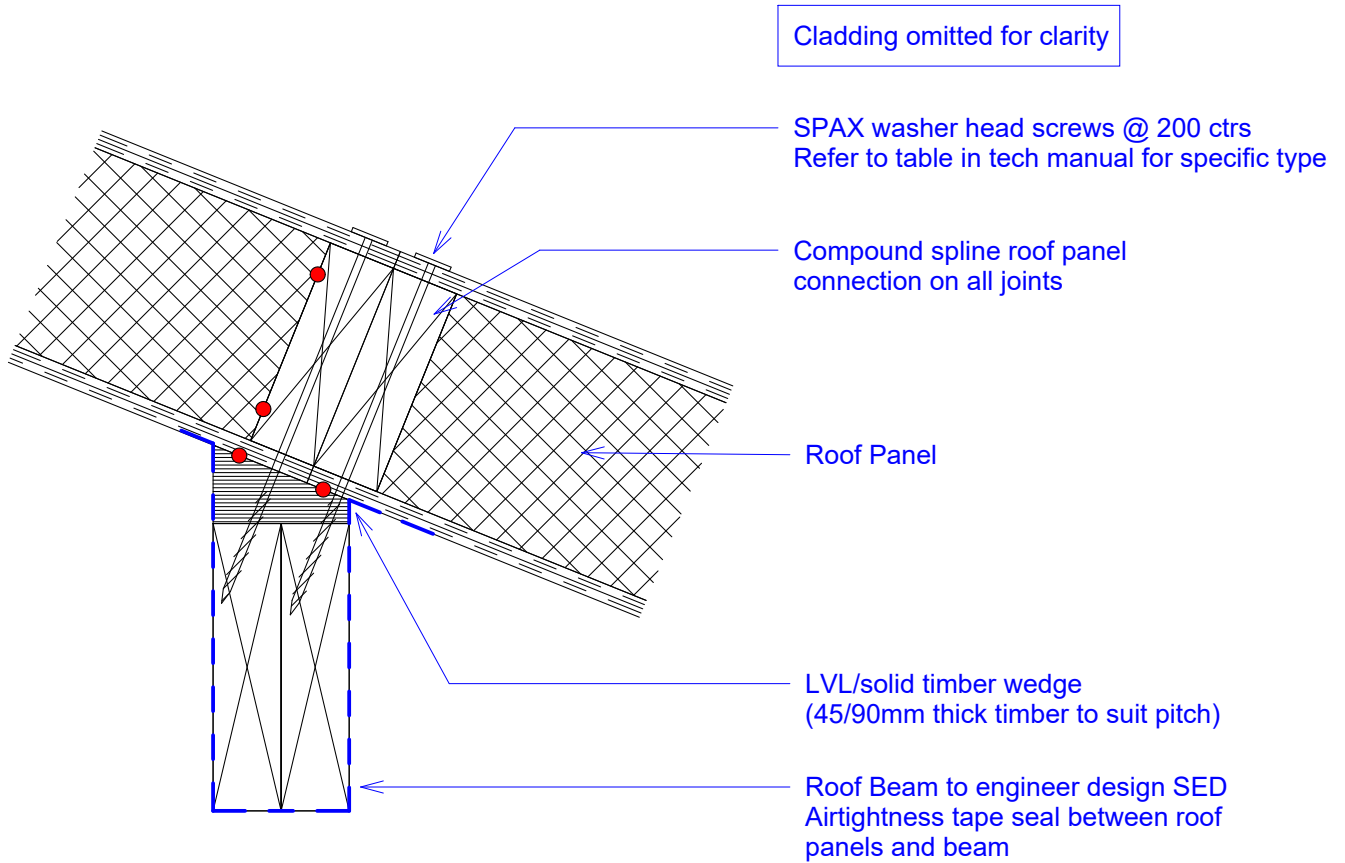
165 mm thick Roof at maximum 30° Roof pitch 280 mm x 10 mm (eave or roof beam connection)

215 mm thick Roof at maximum 30° Roof pitch 320 mm x 10 mm (eave or roof beam connection)

All work to be in accordance with current NZ Standards unless otherwise noted. Drawings to be read in conjunction with specifications, engineers and other consultant drawings. Engineer's drawings take priority on all structural matters. Contractors shall verify all conditions and dimensions on site and notify New Zealand Structural Insulated Panels Limited (NZSIP) of any dimensional errors, omissions or discrepancies before beginning or fabricating any work. Any changes without the approval of NZSIP and/or the local building authority in writing shall void NZSIP of all contractual obligations.

| No. | Description | Date |
|-----|-------------|------------|
| 5 | INFO | 12/08/2019 |
| 4 | INFO | 29/07/2019 |
| 3 | INFO | 16/07/2019 |
| 2 | INFO | 13/05/2019 |

| | | |
|--|---------------------------------|------------------------------|
| PROJECT Standard Details | | |
| SHEET Roof Junction - Beam square | | |
| CLIENT NZSIP | | |
| Date May 2018 | Project number NZSIP | Scale (@ A4) As indicated |
| Drawn by NZSIP | DRAWING NUMBER SIP525 | REV 5 |
| Checked by NZSIP | | |



SPAX washer head screws fixing schedule

Washer Head type screws for fixing roof panels, wall panels and beams together are selected from the following.

115 mm thick panel 160 mm x 8 mm
(corner, internal wall or gable connection)

165 mm thick panel 220 mm x 8 mm
(corner, internal wall, gable or roof beam connection)

165 mm thick Roof at maximum 30° Roof pitch 280 mm x 10 mm (eave or roof beam connection)

215 mm thick Roof at maximum 30° Roof pitch 320 mm x 10 mm (eave or roof beam connection)

All work to be in accordance with current NZ Standards unless otherwise noted. Drawings to be read in conjunction with specifications, engineers and other consultant drawings. Engineer's drawings take priority on all structural matters. Contractors shall verify all conditions and dimensions on site and notify New Zealand Structural Insulated Panels Limited (NZSIP) of any dimensional errors, omissions or discrepancies before beginning or fabricating any work. Any changes without the approval of NZSIP and/or the local building authority in writing shall void NZSIP of all contractual obligations.

| No. | Description | Date |
|-----|-------------|------------|
| 5 | INFO | 12/08/2019 |
| 4 | INFO | 29/07/2019 |
| 3 | INFO | 16/07/2019 |
| 2 | INFO | 13/05/2019 |

| | | |
|--|-------------------------|------------------------------|
| PROJECT Standard Details | | |
| SHEET Roof Junction - Beam angled | | |
| CLIENT NZSIP | | |
| Date May 2018 | Project number NZSIP | Scale (@ A4) As indicated |
| Drawn by NZSIP | DRAWING NUMBER | |
| Checked by NZSIP | SIP526 | REV 5 |